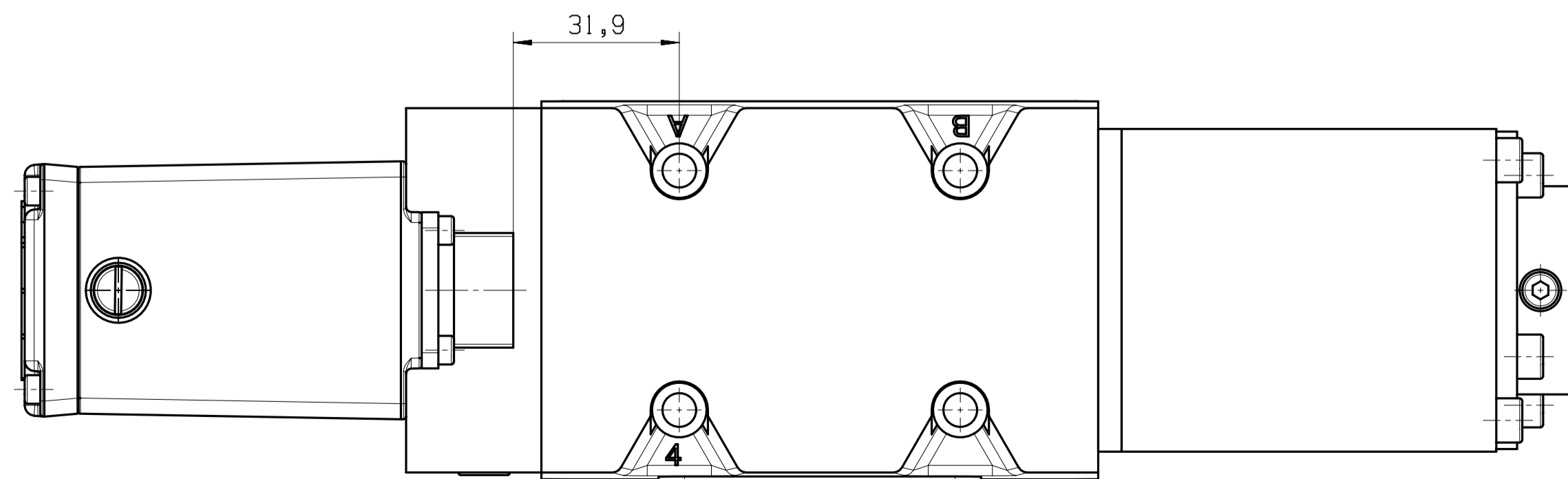
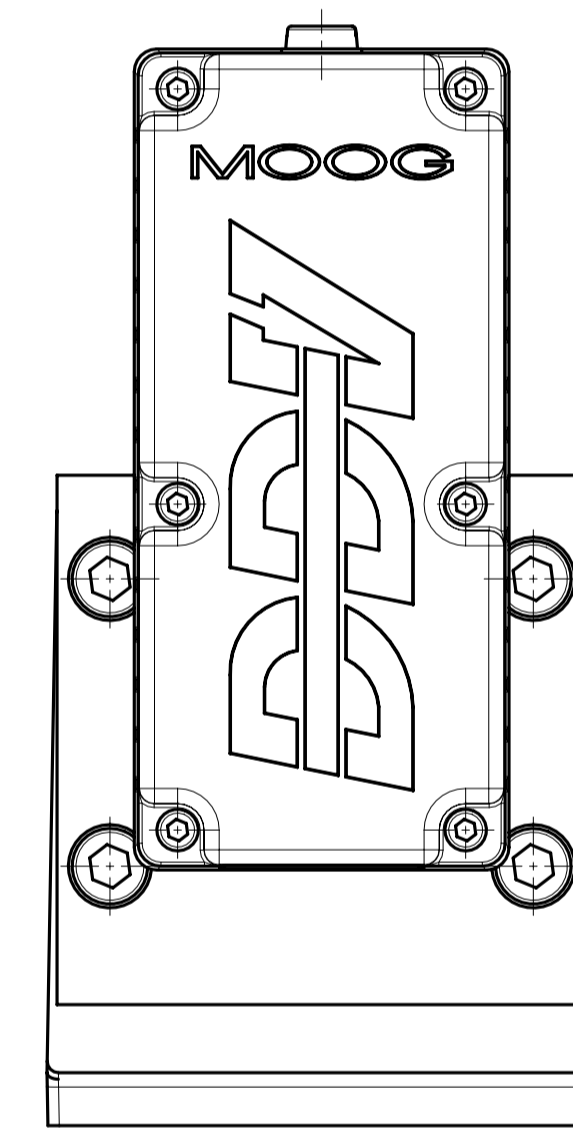
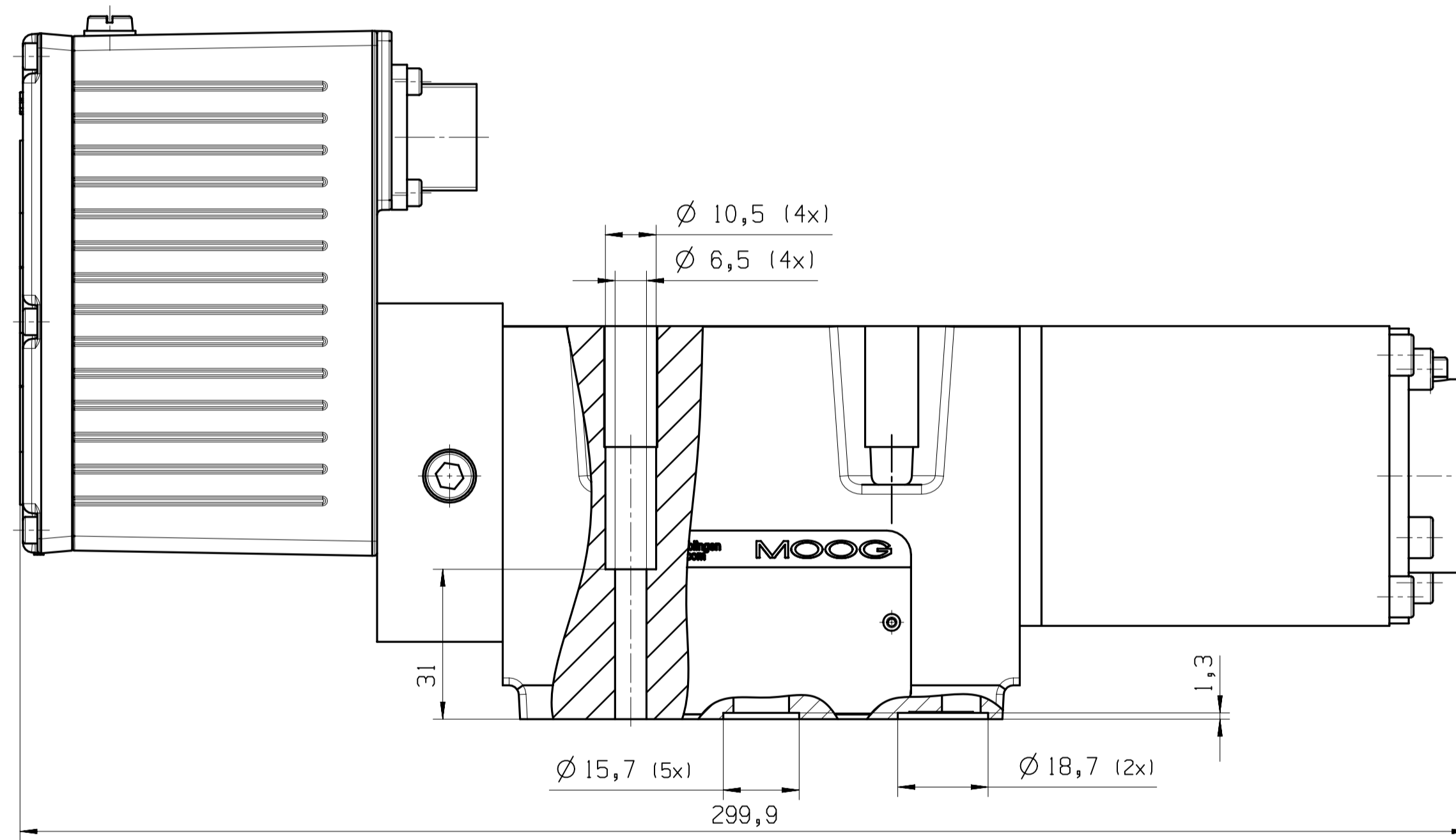
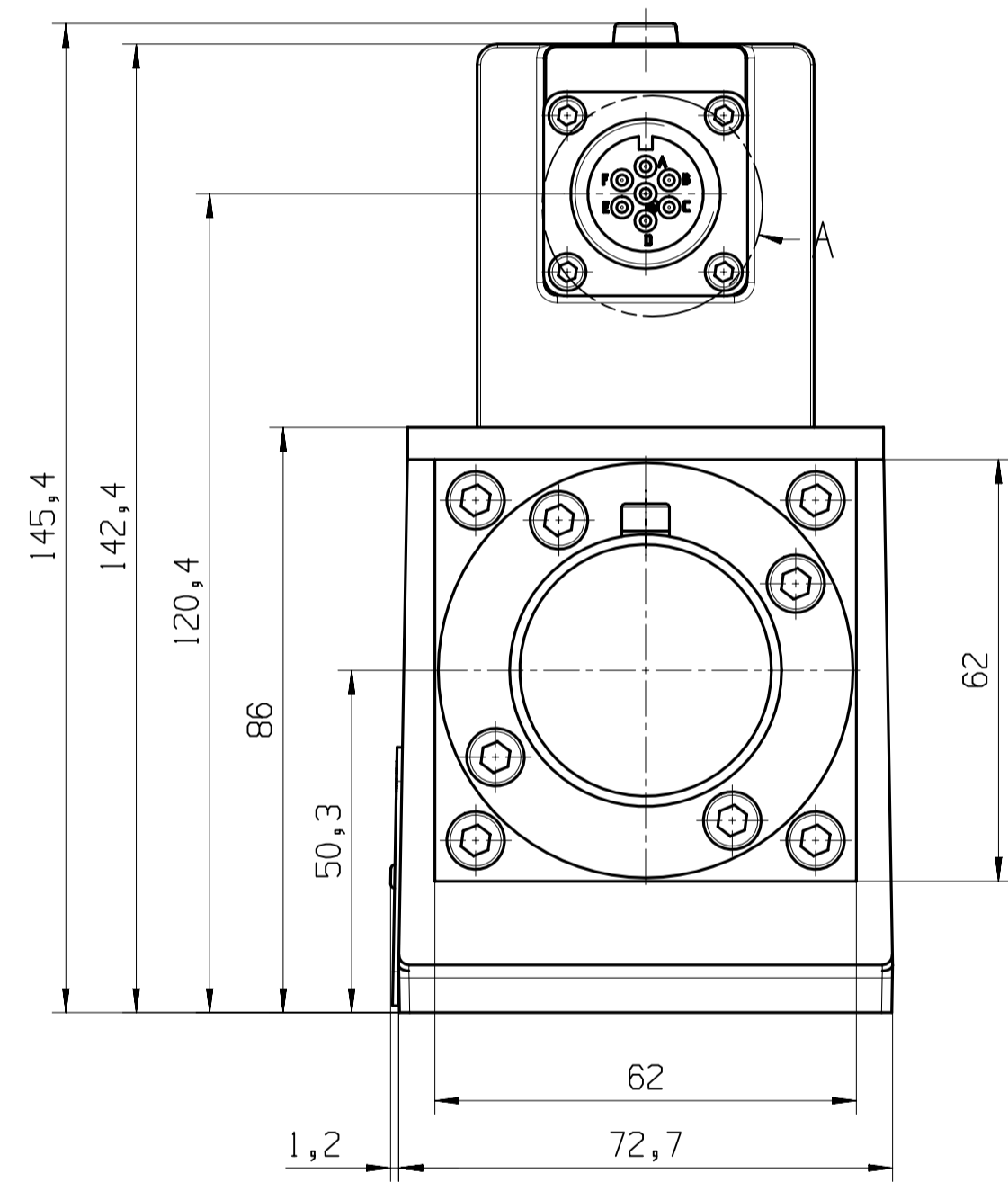
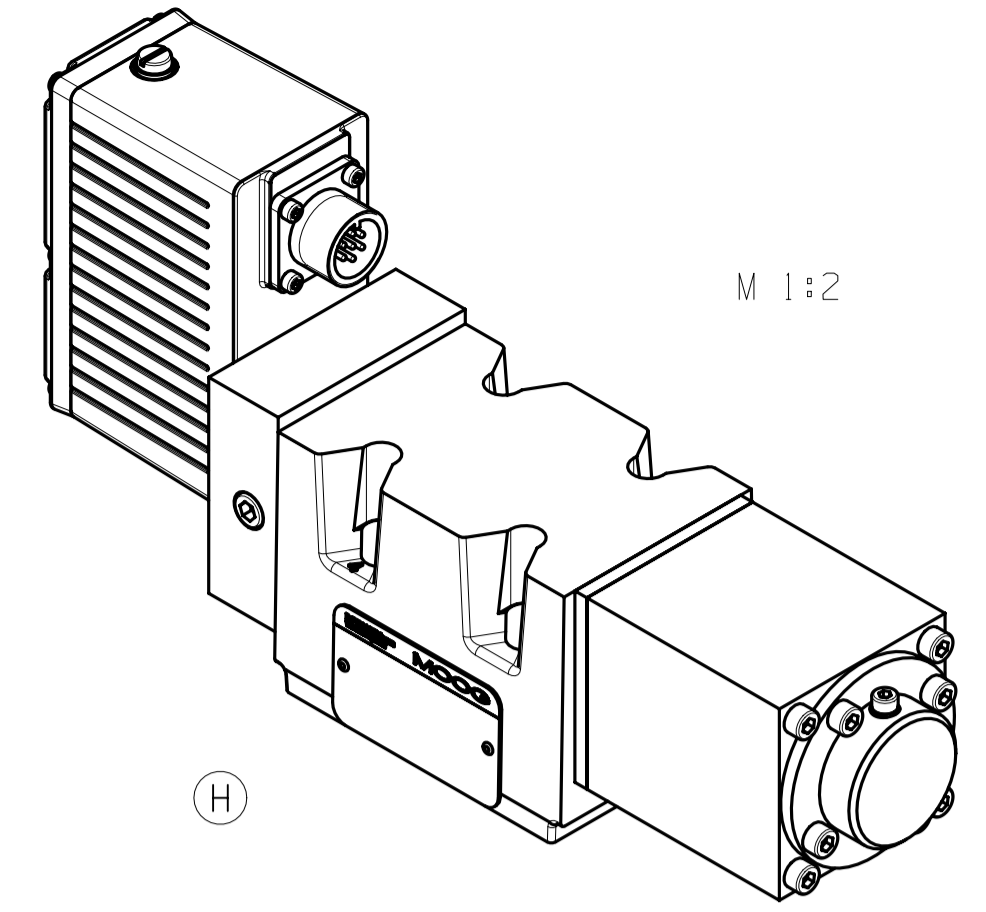
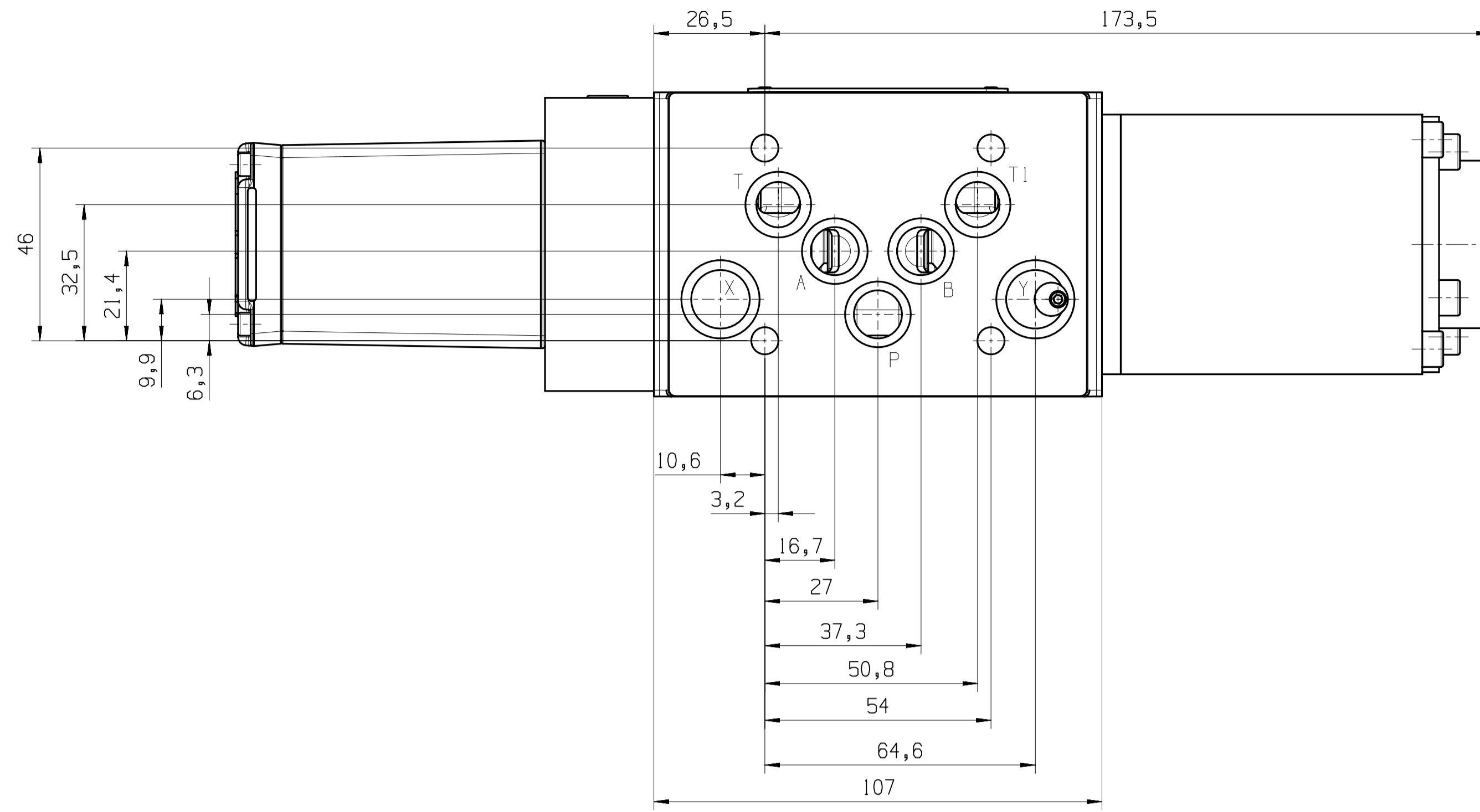
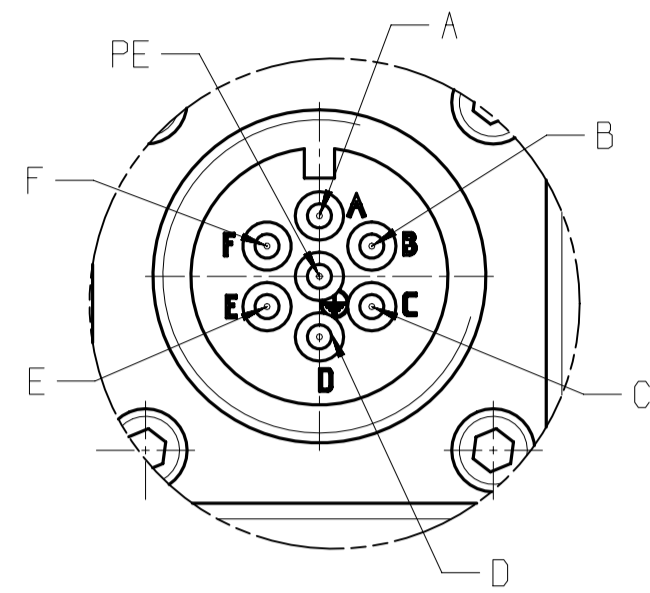


DETAIL A
SCL 2:1



Index	Zone	Description of change	Date	Name
g		Aenderungs EDN 19591	14.05.13	ZIH
H		Change ECM 16433	18.03.24	SEB

Unit	Size	Scale	Sheet
MM	A1 FSCM C032B	1:1	1/1

2013	Date	Name	Date	Name
Prep.	14.03.13	ZIH	07.05.13	STJ
Check	13.05.13	HOD	22.04.13	TED
Mfg				
Matcon	04.05.13	RIH	Ext.	

Title		First use	
INSTALLATION DRAWING		Drawing-No.:	
DIRECT DRIVE VALVE		C55944	
D634-..		Repl.by:	

Origin: C55725-002		Exch for	
This is a CAD drawing and must not be edited by hand!		Take notice of patent rights to DN ISO 1606	

MOOG
GMBH
Böblingen/Germany