

# High Speed Slip Ring Capsules

## AC6231 / AC6266

### *High speed through-bore capsule*

#### **Description**

A slip ring capsule can be used in any electromechanical system that requires unrestrained, intermittent, or continuous rotation while transferring power and / or data. A slip ring is also called a rotary electrical joint, collector, commutator, or swivel. A slip ring can improve system performance by simplifying operations and eliminating damage prone wires.

The AC6231 provides a high performance solution when a through-bore configuration with high-speed operation is required. This unit provides a 1-1/2 inch through-bore for shaft mounting and a compact 4.25 inch outside diameter and very short overall length for minimal space applications. The AC6231 provides eight 15 amp circuits and the AC6266 provides four 15 amp circuits. Similar in design to our very popular AC4598 and AC6200 series, this design features long life, fiber brush contact technology for ultimate performance in many challenging applications. Brush blocks are easily replaceable for extended life.

#### **Features**

- 1-1/2 inch through-bore
- Compact 4.25 inch outside diameter
- Speeds up to 2500 rpm
- Transfers power, as well as analog and digital signals
- Rugged black anodized aluminum construction

#### **Benefits**

- Compatible with data bus protocols
- Fiber brush technology provides long life and operation
- Compact packaging
- Ease of installation



(outer cover removed for view)

#### **Typical Applications**

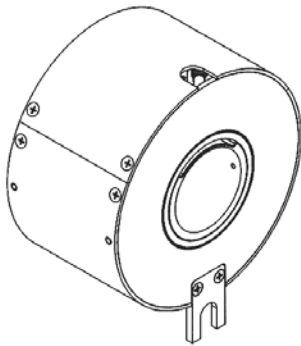
- Precision rotary equipment
- High speed testing
- Semiconductor handling systems
- Industrial machinery
- Robotics

# High Speed Slip Ring Capsules

Specifications	
Operating Speed	2500 rpm* continuous
Number of Circuits	8 (AC6231), 4 (AC6266)
Lead Lengths	20 inch min.
Lead Size / Type	14 AWG
Voltage	220 VAC
Operating Temp.	-40°C to +80°C
Current Rating	15 amps / circuit
Noise	60 milliohms max.

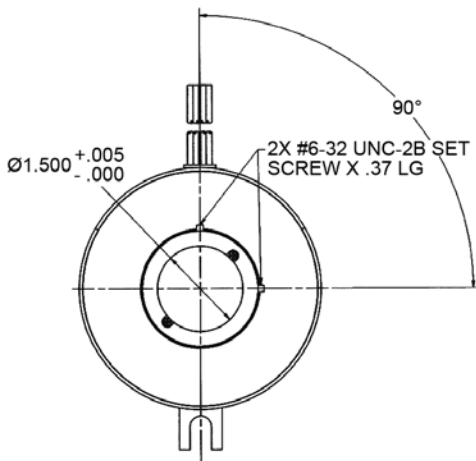
\*Please note that the operational life of the unit is dependent upon rotational speed, environment and temperature.

## AC6231 / AC6266 Dimensions



VIEW SHOWN WITHOUT LEADS AND GROMMET

Part Number	Length "L"
AC6231	2.75 inches (69.85 mm)
AC6266	1.97 inches (50.038 mm)



Dimensions in inches

