

## 2-Way Spool Type Pressure Reducing Valve Series D (06/2014)

# 2-Way Spool Type Pressure Reducing Valve (DMO) ISO 7368 NB 16 – NB 50

### General Description

2-way pressure reducing valves are used to reduce a variable input pressure (primary pressure at B) to a lower, constant output pressure (secondary pressure at A).

The reduced pressure can be set using a pressure relief valve on the valve cover. Depending on configuration, this valve can also function as a pressure compensator.

The preferred mode of mounting is the manifold block which, depending on the hydraulic circuit for the specific application, can be equipped with several interconnected valves.

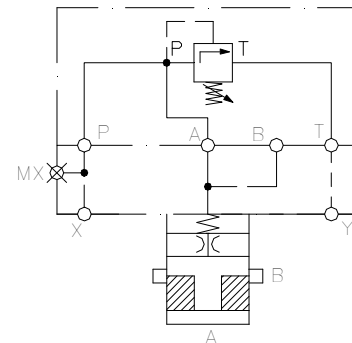
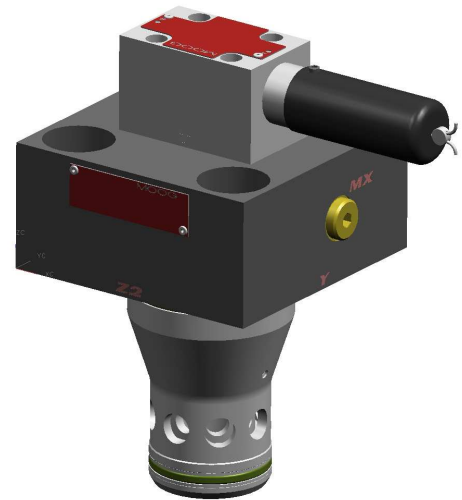
The valves are available as “normally open” or “normally closed” versions.

### Benefits

- Maximum operating pressure: 350 bar
- Improved flow characteristics compared to series B
- Can be used with standard series D covers (RM or 1W)
- Available in multiple configurations

### Sizes

- NB 16
- NB 25
- NB 32
- NB 40
- NB 50

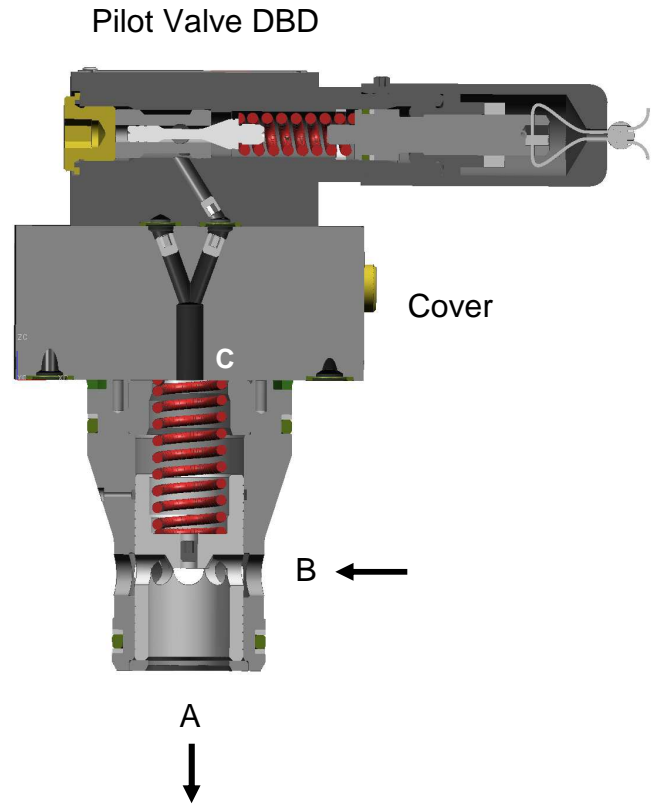


## Operating Principle

A DMO type pressure reducing valve is a spool type valve without an effective surface in port B. The effective surfaces in port C and in operational port A are of equal size (surface ratio 1:1). The flow direction is from B to A.

As port B is pressurized, oil will flow from B to A. As the pressure in port A approaches the set pressure value of the limiting valve, the spool will move towards the closed position throttling the oil flow. As the pressure in port A exceeds the set pressure value, the spool will close port A and the oil flow will be interrupted.

Depending on the hydraulic circuit and the adaptation of suitable standard covers; a DMO type valve can also be used, for example, in flow-control functions as a pressure compensator.



## Specification

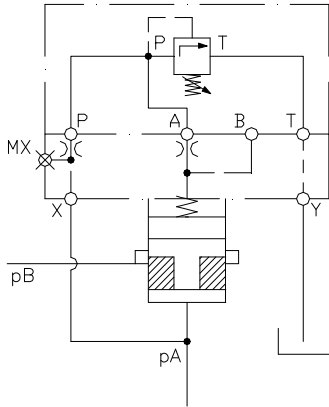
General data	Value	Unit	Specification				
Mode of Construction	-	-	2-Way Spool Type Pressure Reducing Valve				
Type	-	-	DMO (Manual Pressure Adjustment)				
Design	-	-	Cartridge Valve				
Mounting style	-	-	Manifold Cartridge Mounting				
Nominal size	NB	-	16	25	32	40	50
Mounting dimensions according ISO 7368-...	-	-	BA-06-2-A	BB-08-2-A	BC-09-2-A	BD-10-2-A	BE-11-2-A
Mounting position	-	-	Any				
Flow Direction	-	-	B → A				
Operating pressure	max.	MPa	35				
Ambient temperature range	min.	°C	-30				
	max.	°C	+80				
Seals* for hydraulic fluids	-	-	FKM+PU	→ M-DMO, hydraulic fluids on mineral oil basis			
			FKM	→ V-DMO, hydraulic fluids on mineral oil basis, HFD-hydraulic fluids			
			NBR	→ N-DMO, hydraulic fluids on mineral oil basis, HFC-hydraulic fluids			
Hydraulic fluid temperature range	-	°C	-30 to +80	NBR			
			-10 to +80	FKM + PU			
Viscosity range	min.	mm <sup>2</sup> /s	2,8				
	max.	mm <sup>2</sup> /s	380				
Operating viscosity	-	mm <sup>2</sup> /s	15 to 45				
Cleanliness to ISO-Code	max.		ISO 4406 (C) class 20/18/15				

\* PU: Polyurethane; FKM: Fluorosilicone rubber (Viton®); NBR Nitrile rubber (Buna N); Other hydraulic fluids on request

## Basic Configuration

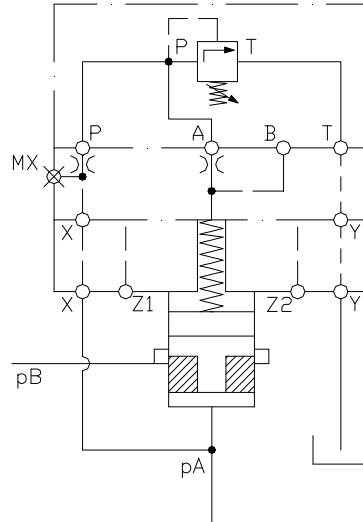
### (1) Pressure reducing valve

- Standard RM cover
- Pilot oil supply from cartridge port A through cover port X
- Without sandwich cover (max 3 bar spring)
- NB 16 to NB 40



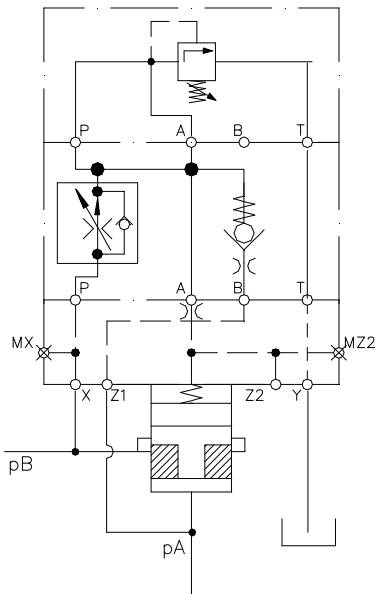
### (2) Pressure reducing valve

- Standard RM cover
- Pilot oil supply from cartridge port A through cover port X
- With sandwich cover for 8 bar spring
- NB 16 to NB 40 (NB 50 with 3 bar spring)



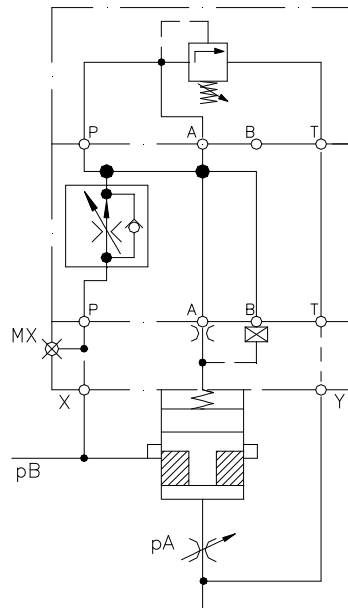
### (3) Pressure reducing valve

- Standard 1W cover
- Pilot oil supply from cartridge port B through 2-way flow controller
- port Y connected to tank
- NB 16 to NB 50
- Higher flow rates possible compared to configurations (1) and (2)



### (4) Pressure compensator valve (upon request)

- Standard RM cover
- Pilot oil supply from cartridge port B through 2-way flow controller
- port Y as pressure load tap downstream of the throttle valve
- NB 16 to NB 40 (NB 50 with sandwich cover)

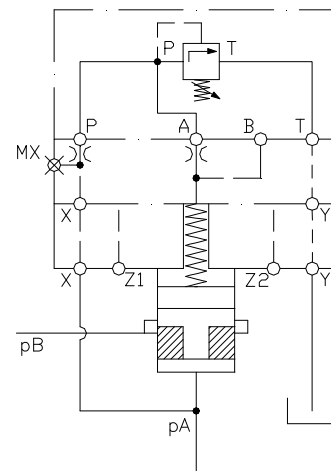
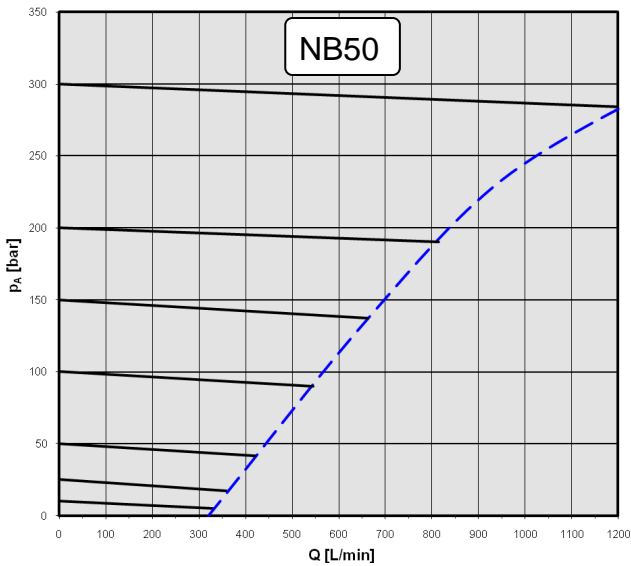
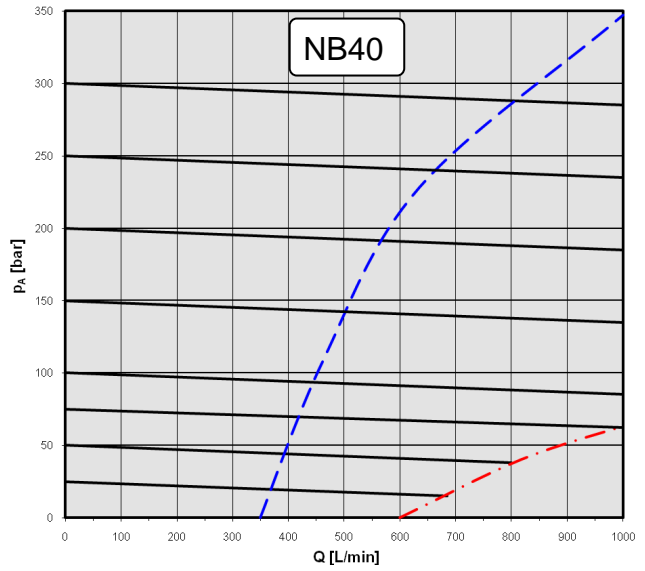
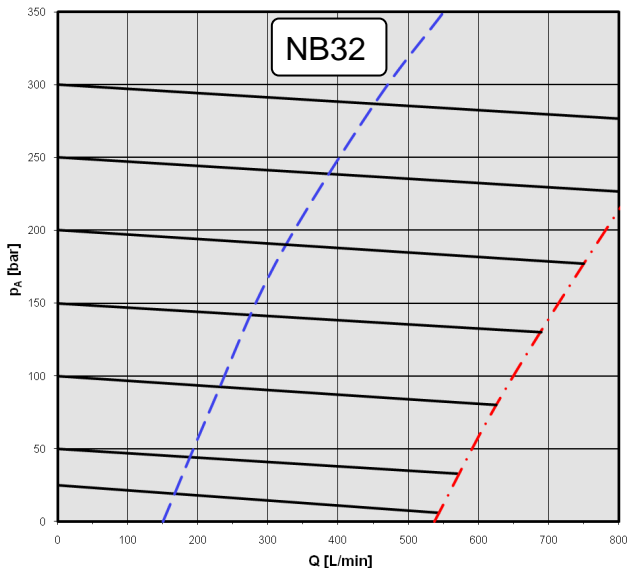
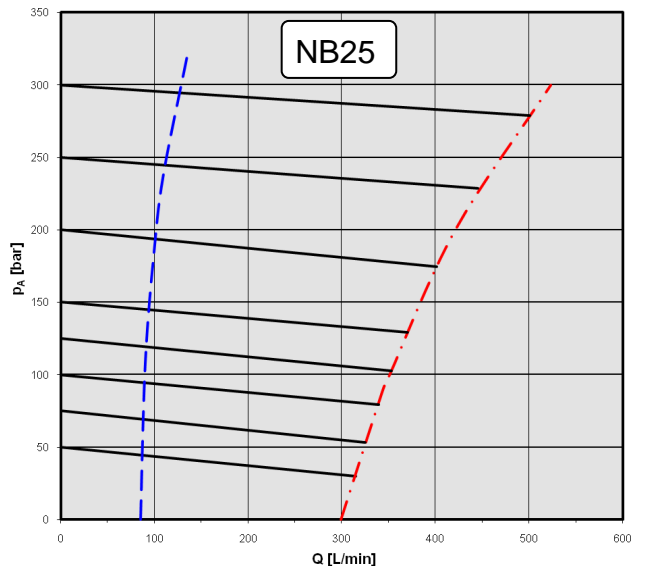
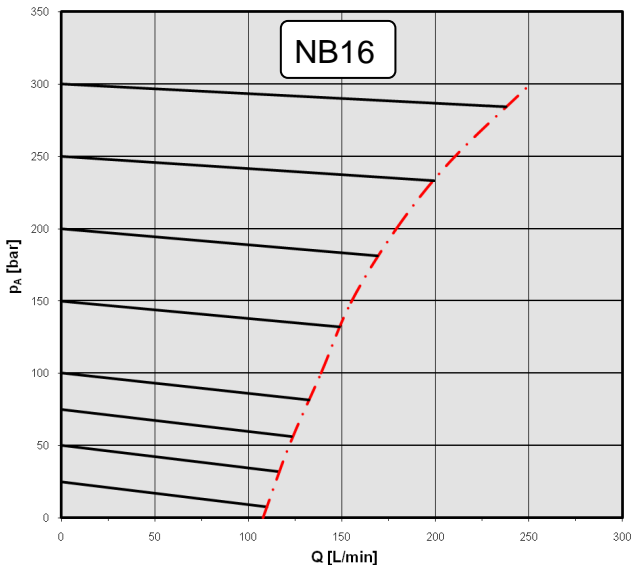


# Characteristic Curves Using 3 Bar And/Or 8 Bar Springs

## Characteristic Curves

Conditions: system pressure 350 bar, oil temperature 40 °C, oil viscosity 32 cSt

(Blue = performance limit with 3 bar spring, Red = performance limit with 8 bar spring)

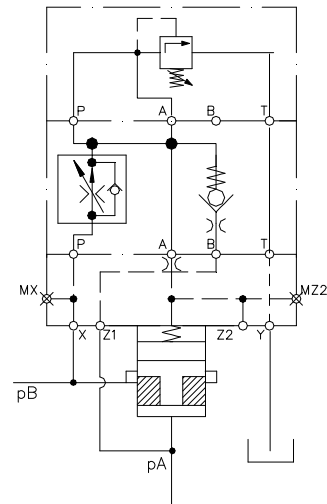
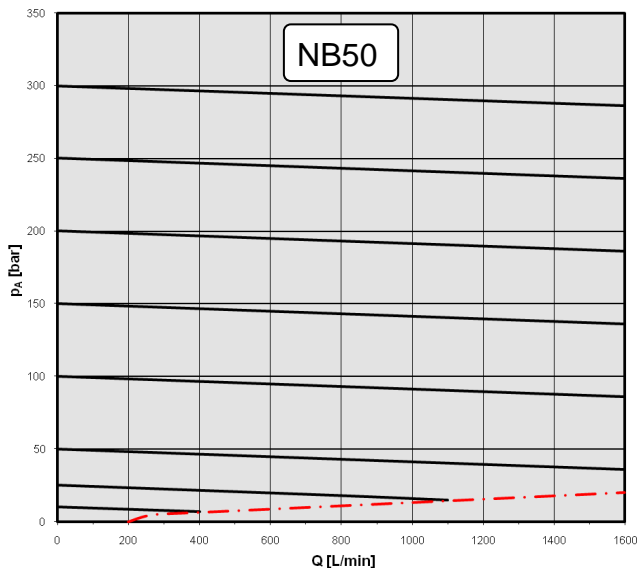
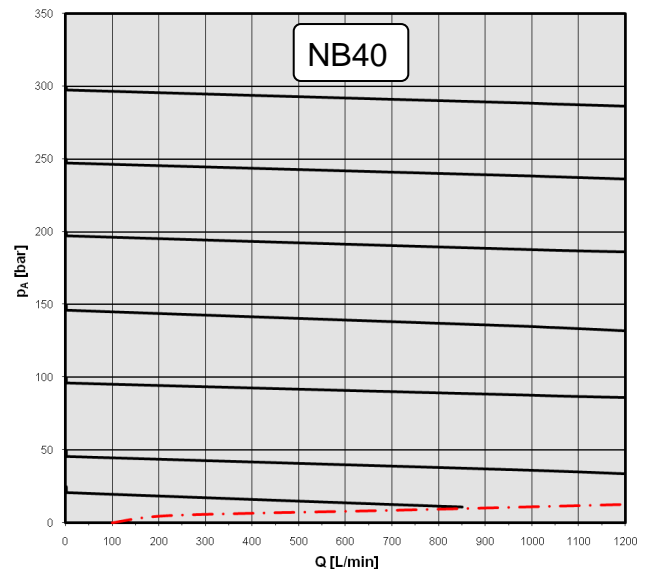
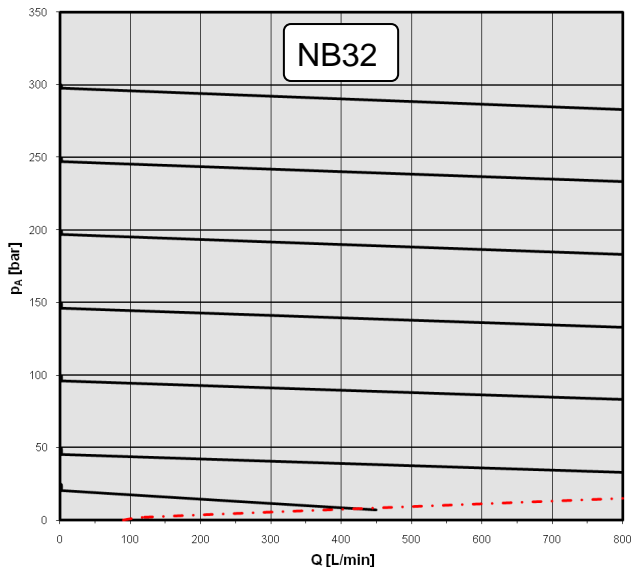
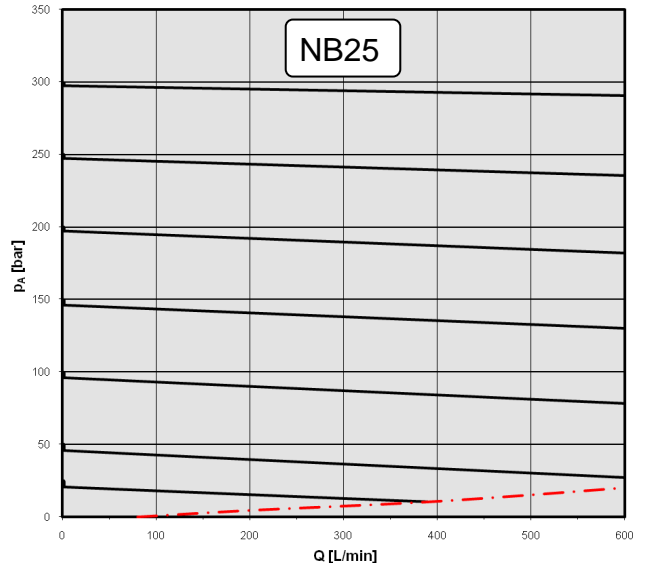
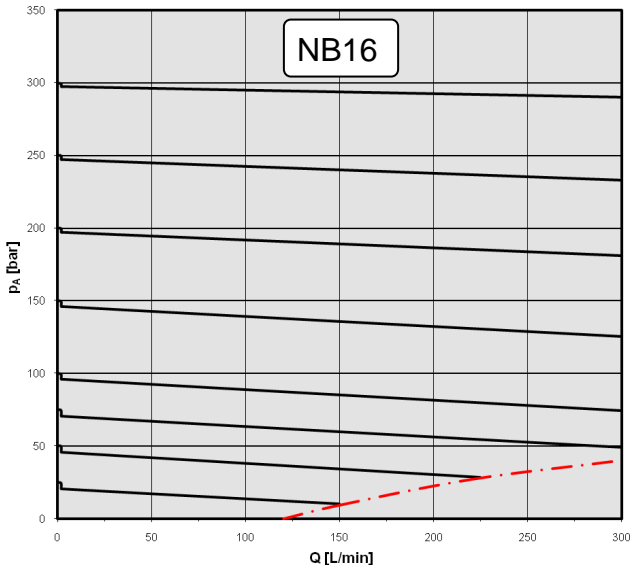


# Characteristic Curves Using A Sandwich Plate Flow Control Valve

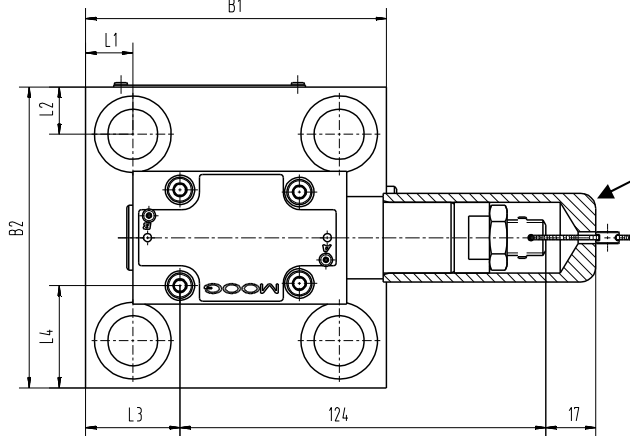
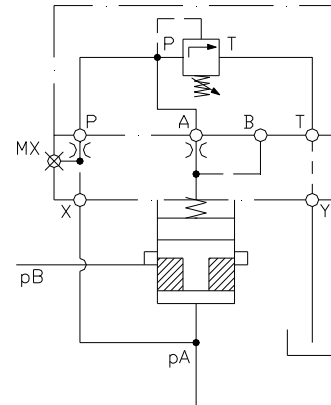
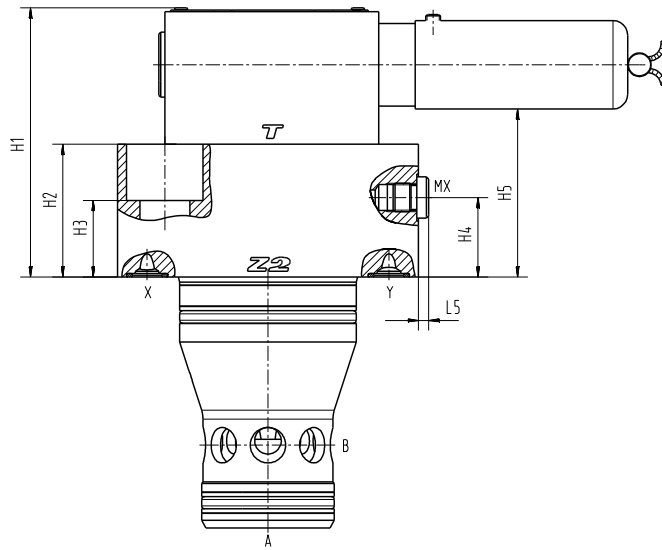
## Characteristic Curves

Conditions: system pressure 350 bar, oil temperature 40 °C, oil viscosity 32 cSt

(Red = performance limit with 0,5 bar spring)



## Dimensions



Adjustment methods available  
 2: allen head screw with jam nut  
 8: method 2 + cap + seal  
 (pressure set and sealed)

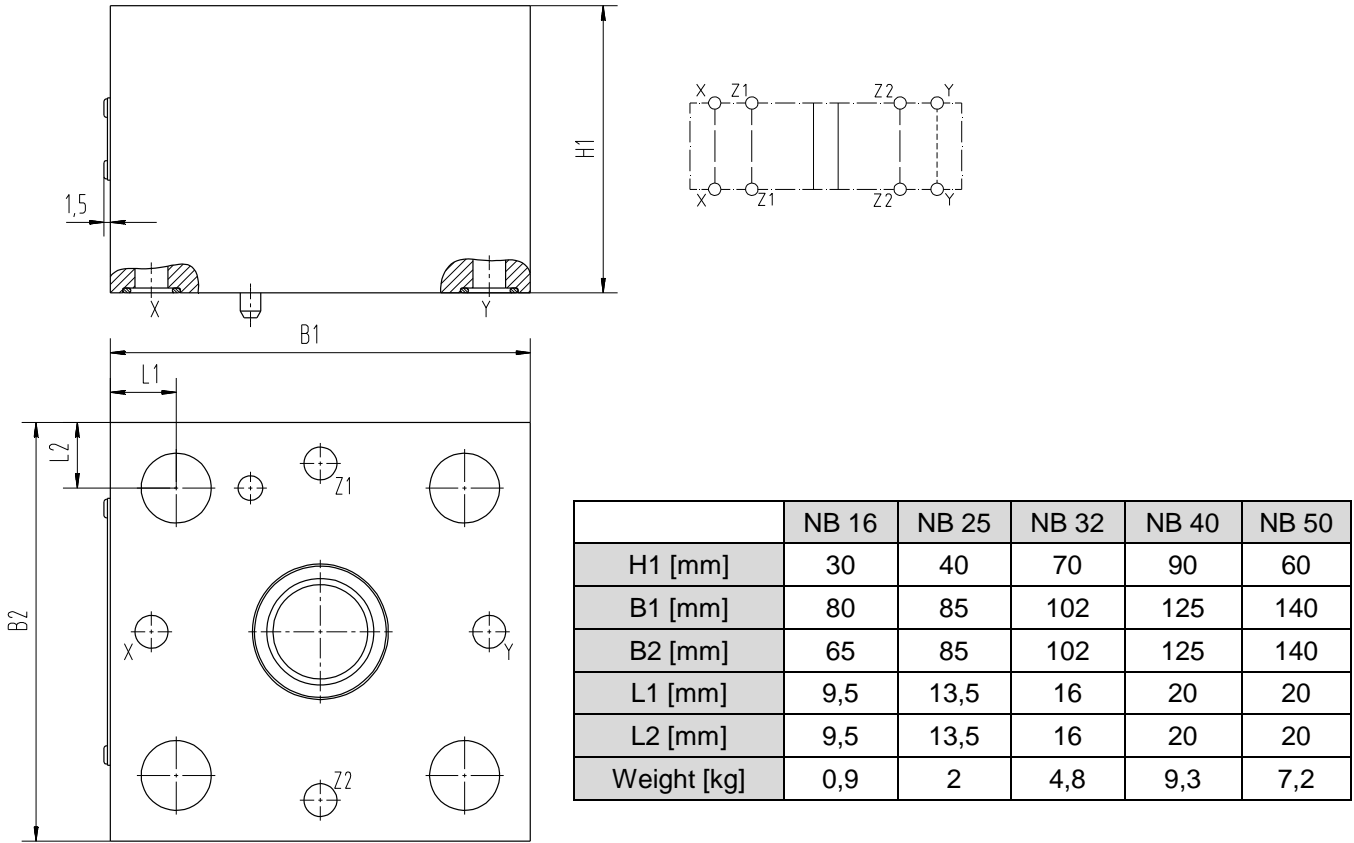
	NB 16	NB 25	NB 32	NB 40	NB 50 <sup>2)</sup>
H1 [mm]	82	87	92	106	166 <sup>3)</sup>
H2 [mm]	35	40	45	60	120 <sup>3)</sup>
H3 [mm]	23	22	26	39	99 <sup>3)</sup>
H4 [mm]	-	-	27	30	90 <sup>3)</sup>
H5 [mm]	47	52	57	72	182 <sup>3)</sup>
B1 [mm]	80 <sup>1)</sup>	85	102	125	140
B2 [mm]	65	85	102	125	140
L1 [mm]	9,5	13,5	16	20	20
L2 [mm]	9,5	13,5	16	20	20
L3 [mm]	7	23,5	32	43,5	51
L4 [mm]	16,25	26,25	34,65	46,25	53,75
L5 [mm]	-	-	3,5	4,5	4,5
Plugs MX	-	-	G 1/8"	G 1/4"	G 1/4"
Mounting Screws ISO 4762-12.9	M8x35	M12x40	M16x50	M20x70	M20x130
Tightening Torque [Nm]	30	100	300	550	550
Weight [kg]	2,9	3,9	5,5	9,6	20,7

<sup>1)</sup> Dimension B1 is larger than specified by ISO 7368

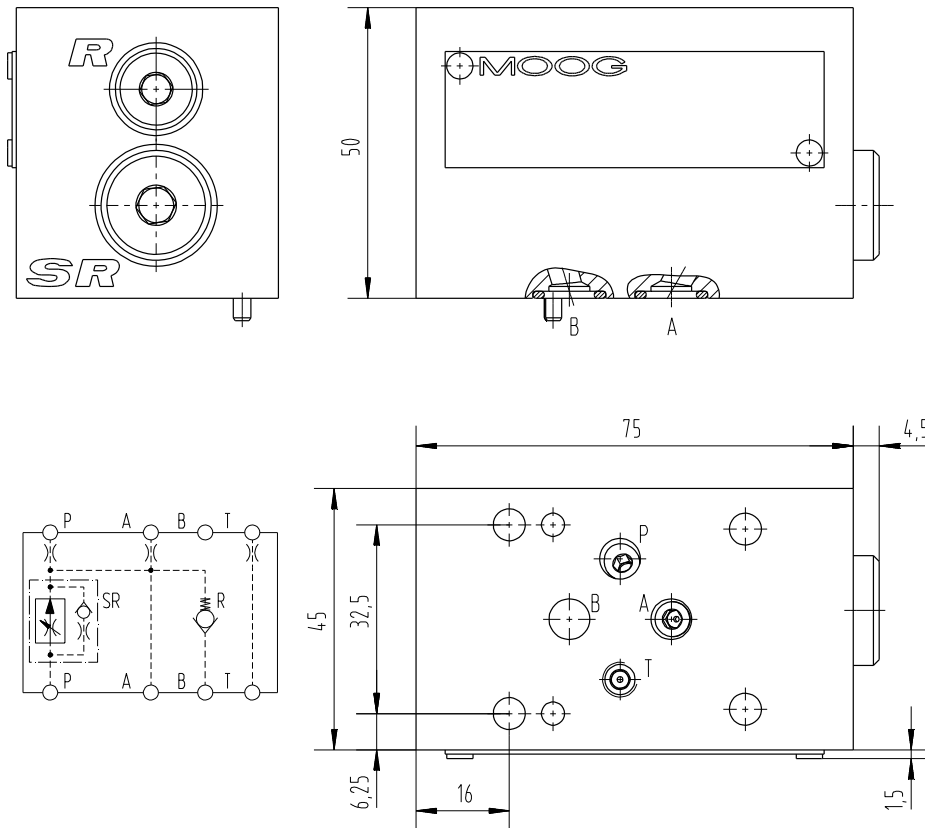
<sup>2)</sup> NB50 delivered standard with sandwich cover (H1=166 mm)

<sup>3)</sup> For NB50 with 0,5 bar spring subtract 60 mm from dimension given

## Option: Sandwich cover for 8 bar spring NB16...NB40 (NB50 using max. 3 bar spring)



## Option: 2-way flow control (NB06) using a sandwich plate (weight 1,25 kg)

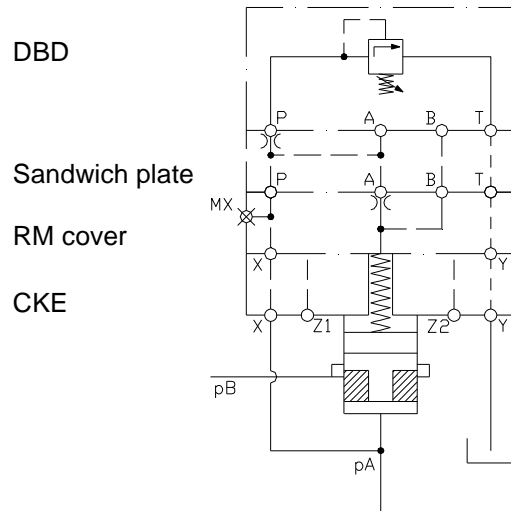
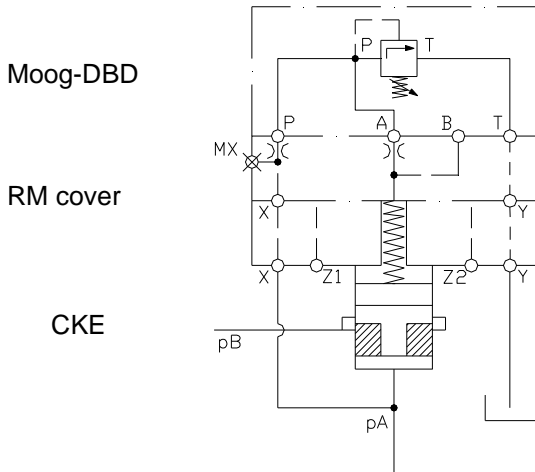


## Alternative configurations for pilot valves that do not use port A.

It is recommended that pilot valves with no connection to port A be used in combination with a sandwich plate (P connected to A).

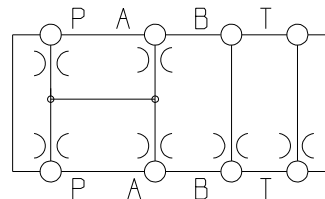
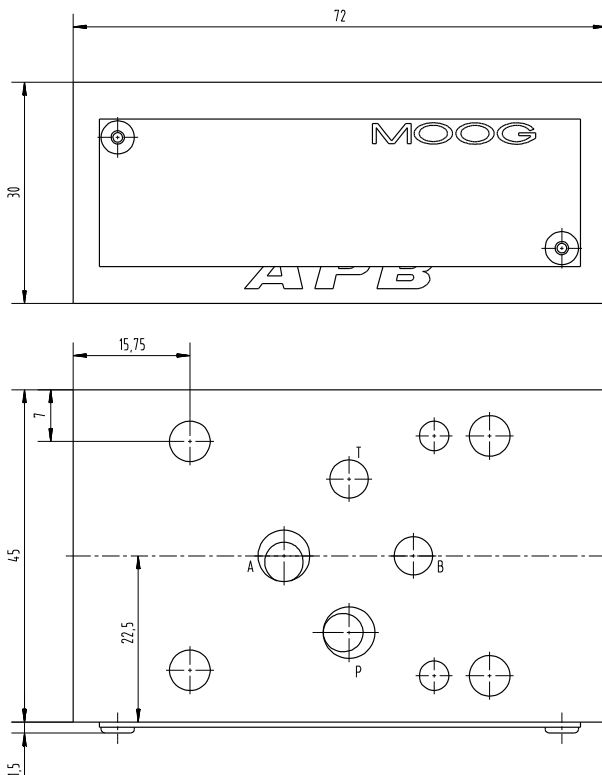
Standard:  
Moog DB pilot valve + RM cover

Alternative:  
DB pilot valve + sandwich cover +  
RM cover



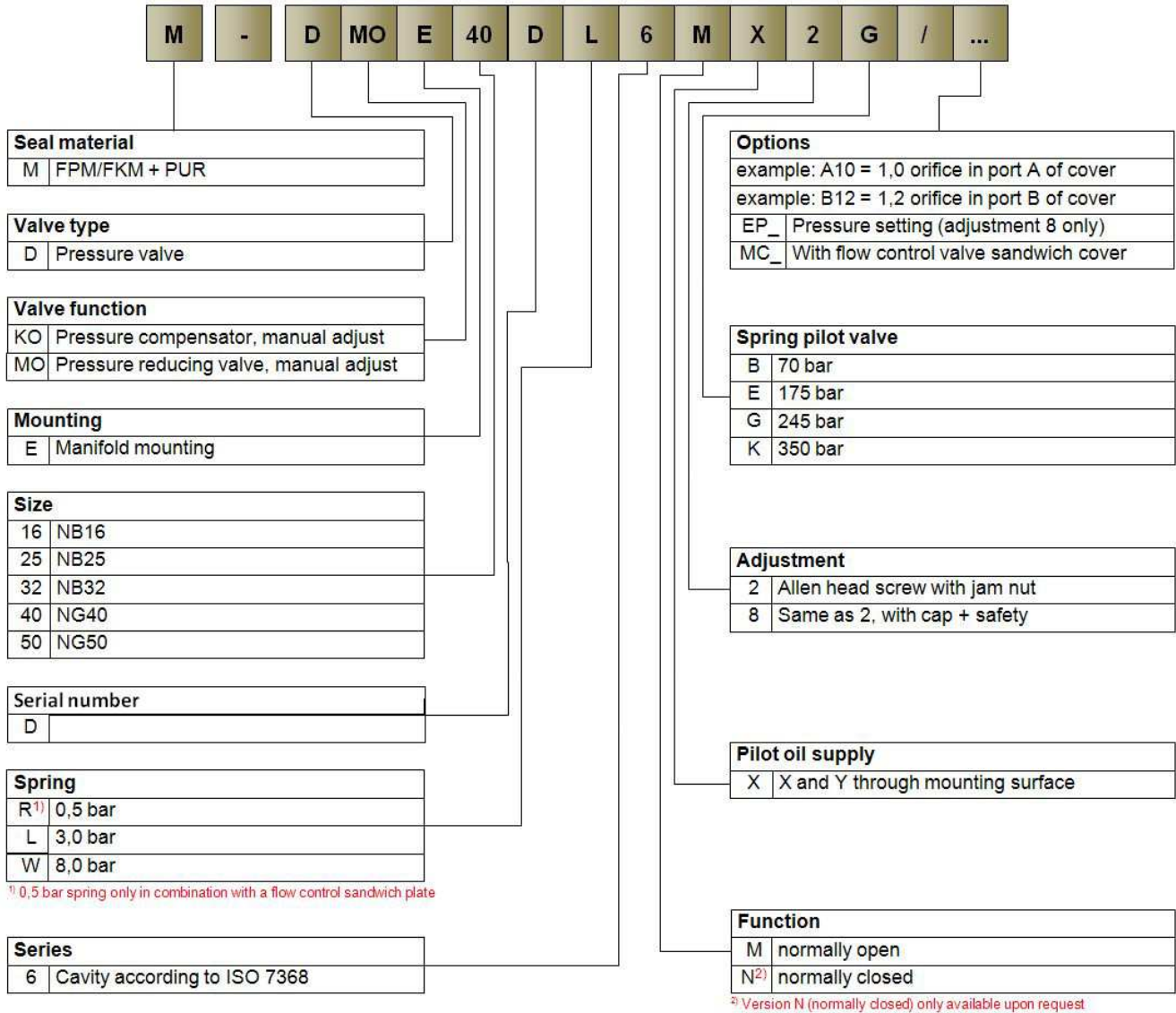
Valve configurations using a flow control sandwich plate, regardless of pilot valve; do not require any special sandwich plates.

## Option: Sandwich cover (NB06) with connections from P and A (weight 0,7 kg)





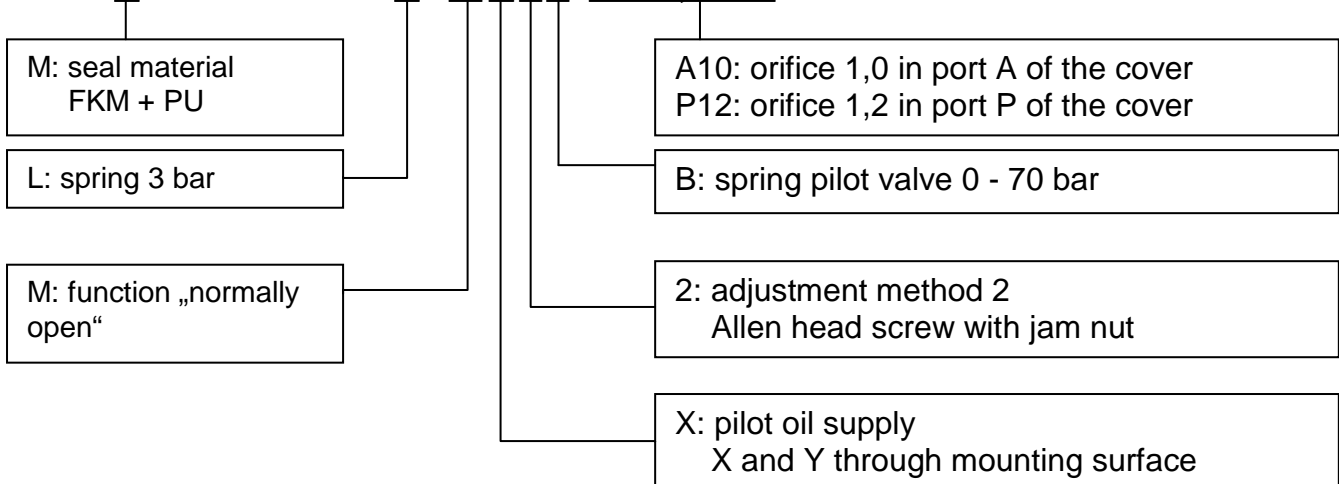
## Ordering Information



## Order Example

2/2-Way pressure reducing valve, NB 32, manual pressure adjustment, normally open

**M-DMOE32DL6MX2B/A10;P12**



## Order Numbers

Pressure reducing valve with 3 or 8 bar spring (RM cover)

Function: normally open; Adjustment method 2, Spring pilot valve 350 bar, Seals PUR/FKM

Symbol	Size	Spring	ZWD*	Type code	
	16	3 bar	-	M-DMOE16DL6MX2K	
		8 bar	x	M-DMOE16DW6MX2K	
	25	3 bar	-	M-DMOE25DL6MX2K	
		8 bar	x	M-DMOE25DW6MX2K	
	32	3 bar	-	M-DMOE32DL6MX2K	
		8 bar	x	M-DMOE32DW6MX2K	
	40	3 bar	-	M-DMOE40DL6MX2K	
		8 bar	x	M-DMOE40DW6MX2K	
	50	3 bar	x	M-DMOE50DL6MX2K	
		8 bar	-	not available	

\*ZWD = sandwich cover required

Pressure reducing valve with sandwich cover flow control valve (1W cover)

Function: normally open; Adjustment method 2, Spring pilot valve 350 bar, Seals PUR/FKM

Symbol	Size	Spring	ZWD*	Type code	
	16	0,5 bar	-	M-DMOE16DR6MX2K/MC_	
	25	0,5 bar	-	M-DMOE25DR6MX2K/MC_	
	32	0,5 bar	-	M-DMOE32DR6MX2K/MC_	
40	0,5 bar	-	M-DMOE40DR6MX2K/MC_		
50	0,5 bar	-	M-DMOE50DR6MX2K/MC_		

\* no sandwich cover required for these valve types

As a recognized leader in motion control technologies, Moog offers a full range of services to support our products and ensure that they meet the expectations of customers. Moog experts are the best at helping customers select the right products and ensuring that they run reliably for a long time.

When it is time for new machine commissioning, refurbishment or routine maintenance, our engineers can help to optimize machine performance, minimize downtime and ensure the smooth application of our products.

**Moog Authentic Repair Service™** is designed to provide the highest quality repair services using original equipment parts, the latest design specifications, and highly trained technicians. This ensures that our repaired products will run as well as when they were new.

**With facilities in over 25 countries, Moog is committed to offering convenient local service to our customers.**

Visit [www.moog.com/industrial/worldwide](http://www.moog.com/industrial/worldwide) to find the location nearest you for application engineering, repair, or field services.

FOR MORE INFORMATION VISIT  
<http://www.moog.com/industrial>

# MOOG.COM/INDUSTRIAL

For the office nearest you, contact us online at [moog.com/industrial/globallocator](http://moog.com/industrial/globallocator).

Argentina	+54	(0) 11 4326 5916	<a href="mailto:info.argentina@moog.com">info.argentina@moog.com</a>
Australia	+61	(0) 3 9561 6044	<a href="mailto:info.australia@moog.com">info.australia@moog.com</a>
Austria	+43	(0) 664 144 6580	<a href="mailto:info.austria@moog.com">info.austria@moog.com</a>
Brazil	+55	(0) 11 35720400	<a href="mailto:info.brazil@moog.com">info.brazil@moog.com</a>
Canada	+1	716 652 2000	<a href="mailto:info.canada@moog.com">info.canada@moog.com</a>
China	+86	(0) 21 2893 1600	<a href="mailto:info.china@moog.com">info.china@moog.com</a>
Finland	+358	(0) 104221840	<a href="mailto:info.finland@moog.com">info.finland@moog.com</a>
France	+33	(0) 1 4560 7000	<a href="mailto:info.france@moog.com">info.france@moog.com</a>
Germany	+49	(0) 7031 622 0	<a href="mailto:info.germany@moog.com">info.germany@moog.com</a>
Hong Kong	+852	2 635 3200	<a href="mailto:info.hongkong@moog.com">info.hongkong@moog.com</a>
India	+91	(0) 80 4057 6605	<a href="mailto:info.india@moog.com">info.india@moog.com</a>
Ireland	+353	(0)21 451 9000	<a href="mailto:info.ireland@moog.com">info.ireland@moog.com</a>
Italy	+39	0 332 421111	<a href="mailto:info.italy@moog.com">info.italy@moog.com</a>
Japan	+81	(0) 46 355 3767	<a href="mailto:info.japan@moog.com">info.japan@moog.com</a>
Korea	+82	(0) 31 764 6711	<a href="mailto:info.korea@moog.com">info.korea@moog.com</a>
Luxembourg	+352	40 46 401	<a href="mailto:info.luxembourg@moog.com">info.luxembourg@moog.com</a>
Netherlands	+31	(0) 252 462 000	<a href="mailto:info.netherlands@moog.com">info.netherlands@moog.com</a>
Norway	+47	6494 1948	<a href="mailto:info.norway@moog.com">info.norway@moog.com</a>
Russia	+7	8 31 713 1811	<a href="mailto:info.russia@moog.com">info.russia@moog.com</a>
Singapore	+65	677 36238	<a href="mailto:info.singapore@moog.com">info.singapore@moog.com</a>
South Africa	+27	(0) 12 653 6763	<a href="mailto:info.southafrica@moog.com">info.southafrica@moog.com</a>
Spain	+34	902 133 240	<a href="mailto:info.spain@moog.com">info.spain@moog.com</a>
Sweden	+46	(0) 31 680 060	<a href="mailto:info.sweden@moog.com">info.sweden@moog.com</a>
Switzerland	+41	(0) 71 394 5010	<a href="mailto:info.switzerland@moog.com">info.switzerland@moog.com</a>
United Kingdom	+44	(0) 168 429 6600	<a href="mailto:info.unitedkingdom@moog.com">info.unitedkingdom@moog.com</a>
USA	+1	(1) 716 652 2000	<a href="mailto:info.usa@moog.com">info.usa@moog.com</a>

©2010 Moog Inc.

Moog is a registered trademark of Moog, Inc. and its subsidiaries. All trademarks as indicated herein are property of Moog, Inc. and its subsidiaries. All rights reserved.

DM(K)O\_D6-1-EN-Pressure Reducing-Compensator Valves - CDL66633-001-A-06-2014