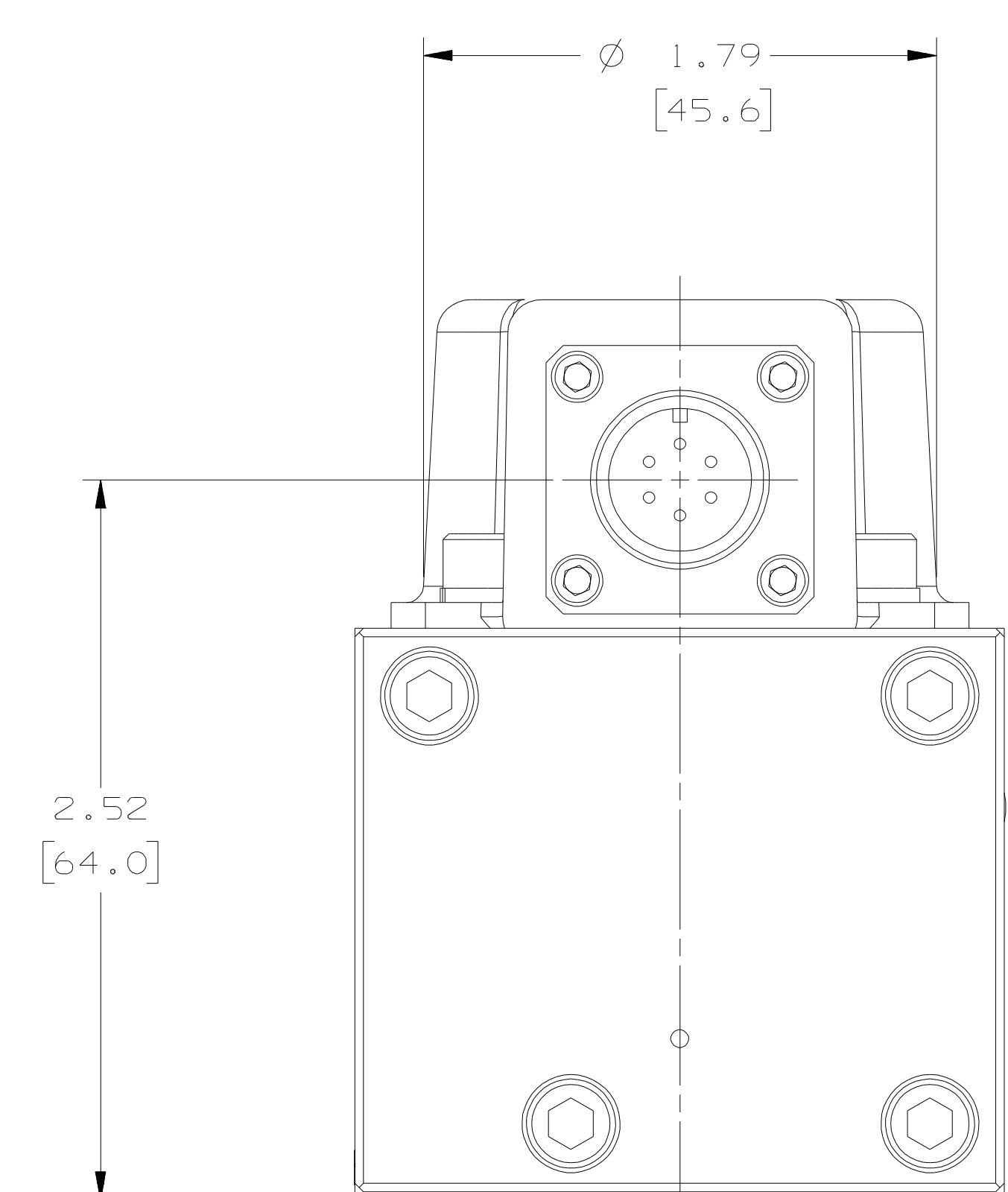
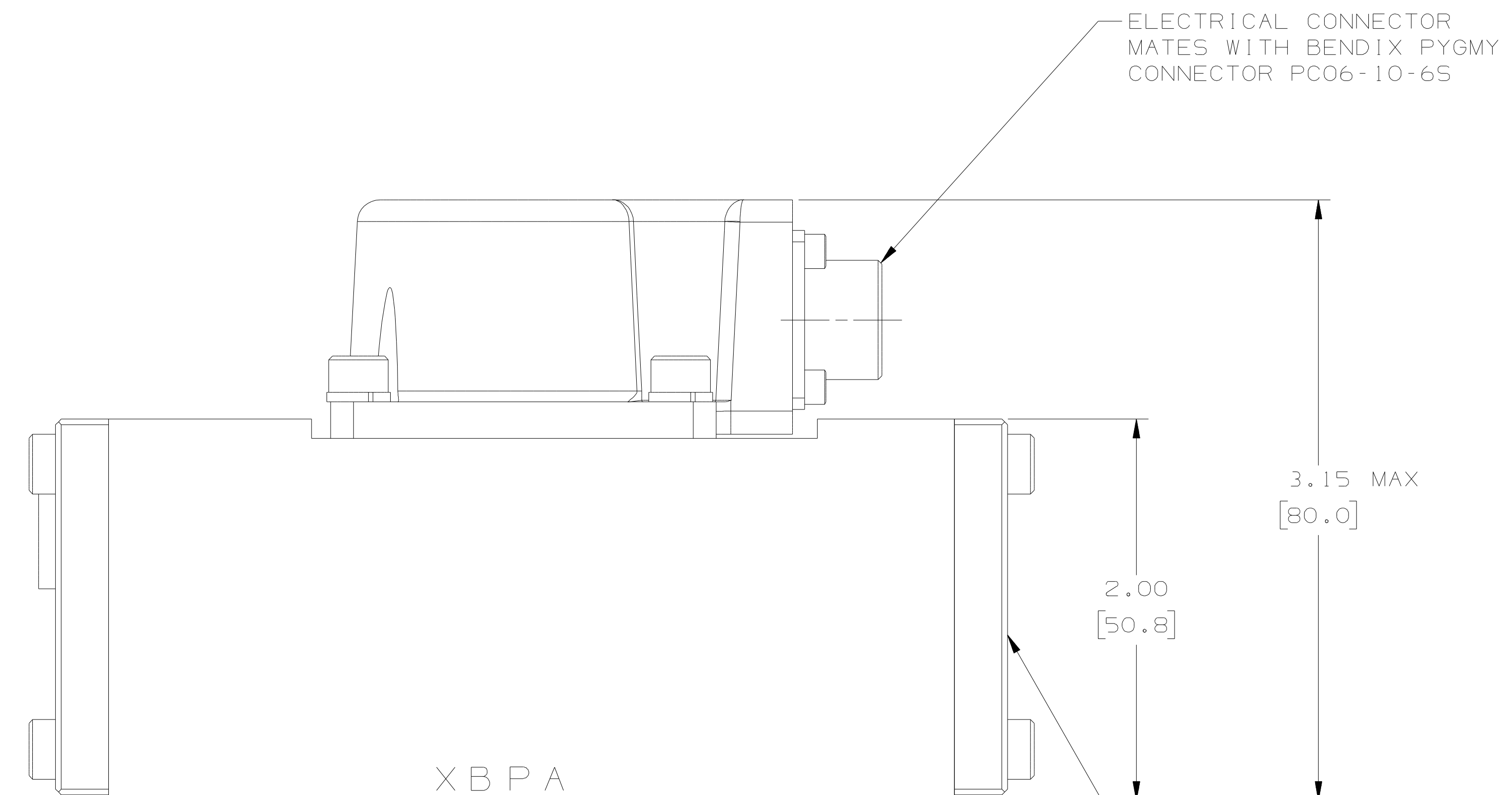
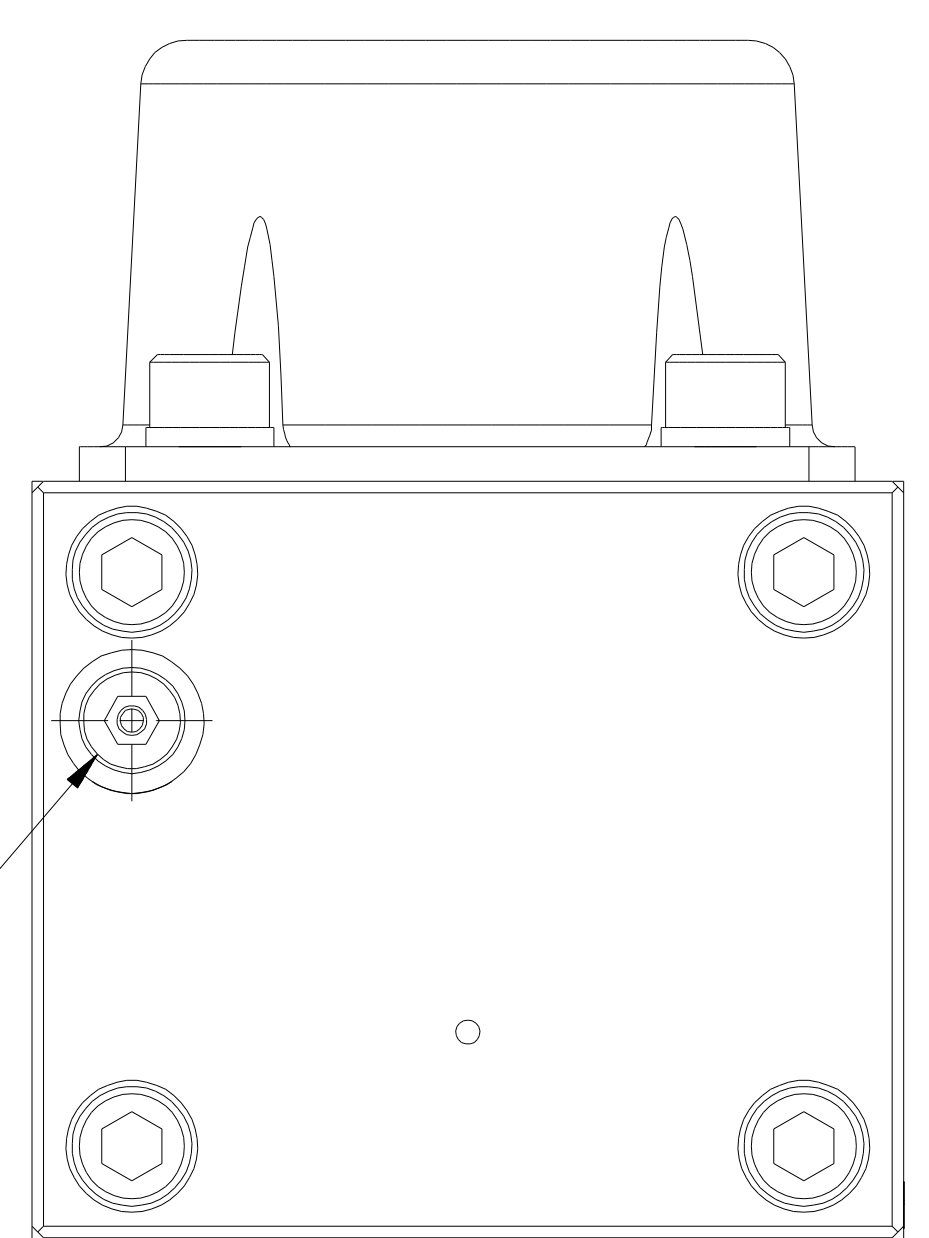
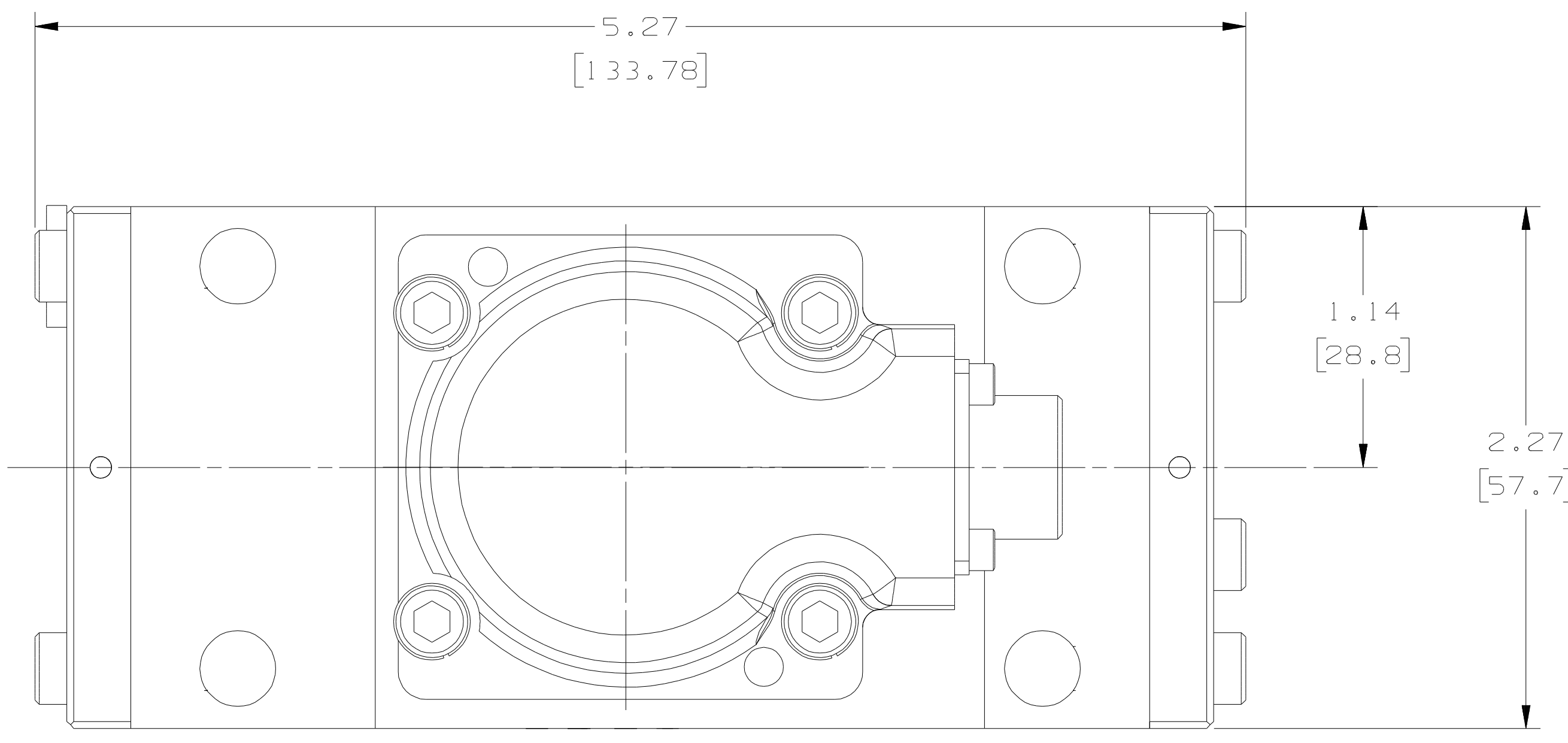


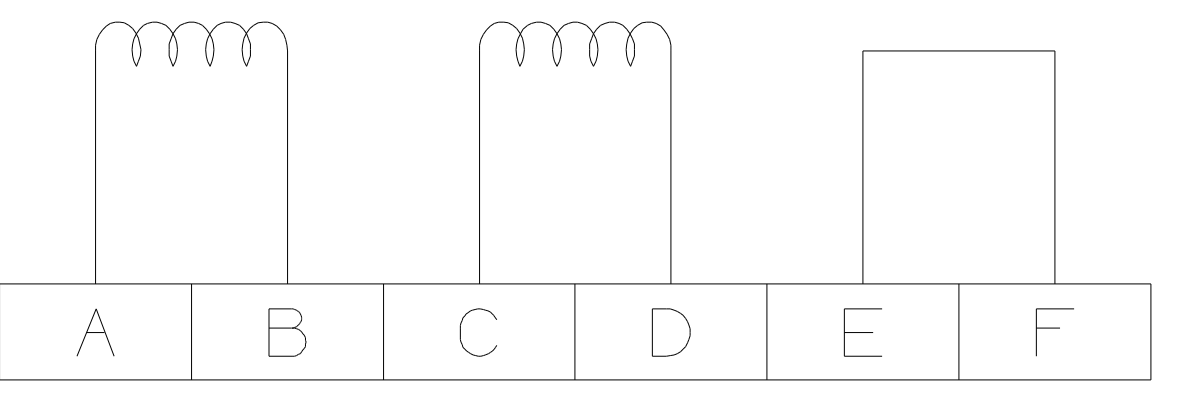
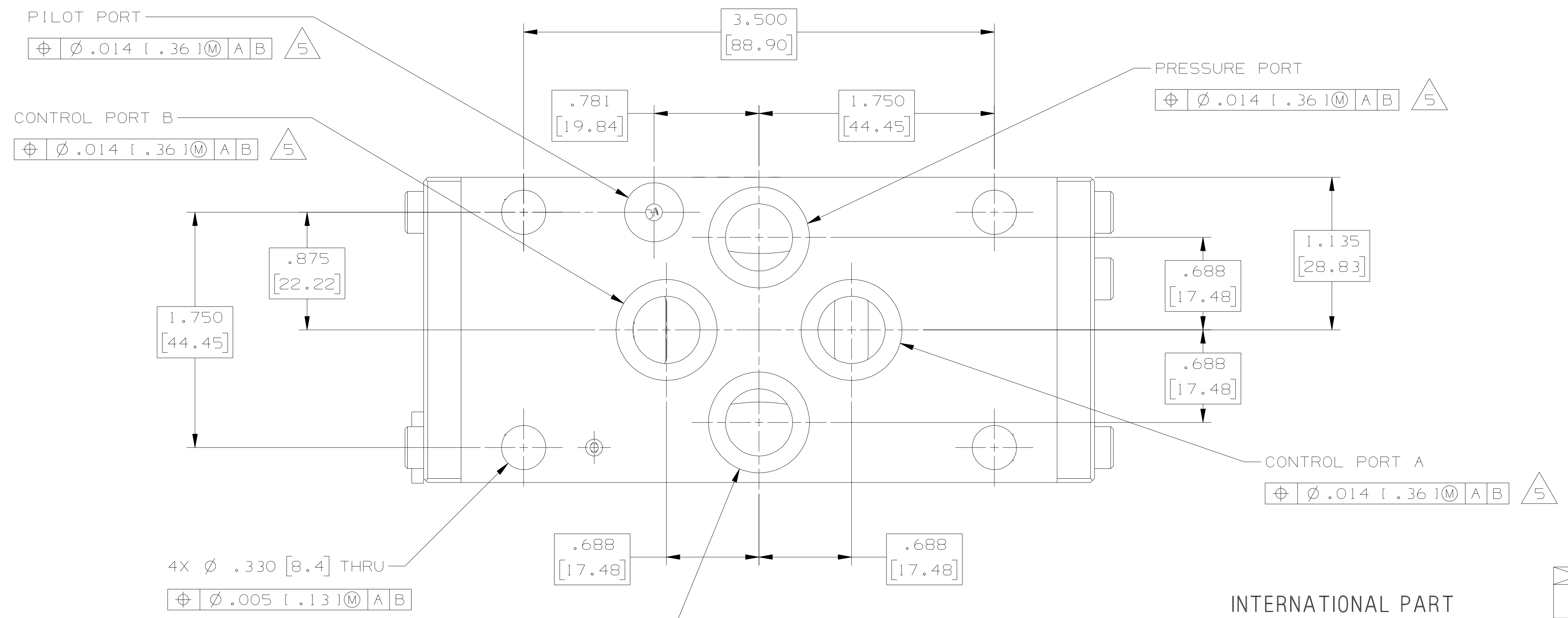
THIS TECHNICAL DATA/DRAWING/DOCUMENT CONTAINS MOOG PROPRIETARY AND CONFIDENTIAL INFORMATION. SUBSIDIARIES EXCEPT AS EXPRESSLY GRANTED BY CONTRACT OR BY OPERATION OF LAW AND IS RESTRICTED TO USE BY MOOG EMPLOYEES AND OTHER PERSONS AUTHORIZED IN WRITING BY MOOG OR AS EXPRESSLY GRANTED BY CONTRACT OR BY OPERATION OF LAW. NO PORTION OF THIS DATA/DRAWING/DOCUMENT SHALL BE REPRODUCED OR DISCLOSED OR COPIED OR FURNISHED IN WHOLE OR IN PART TO OTHERS OR USED BY OTHERS FOR ANY PURPOSE WHATSOEVER EXCEPT AS SPECIFICALLY AUTHORIZED IN WRITING BY MOOG INC. OR MOOG INC. SUBSIDIARY.

REVISIONS				
ZONE	REV	DESCRIPTION	DATE	APPROVED
	D	SEE EO UE1057923: REDRAWN IN NX	20150604	MJN/MWB

- NOTES:
1. MAXIMUM OPERATING PRESSURE: 3000 PSI (207 bar).
  2. FLUID: PHOSPHATE ESTER, FLUID CLEANLINESS LEVEL PER ISO 4406 (SAE J-1165) CODE 16/13 MAXIMUM.
  3. OPERATING TEMPERATURE RANGE: -40°F TO +275°F (-40°C TO +135°C).
  4. DIMENSIONS WITHOUT TOLERANCE ARE FOR REFERENCE ONLY. DIMENSIONS IN BRACKETS ( ) ARE IN MILLIMETERS.
  5. (4) PORTS ARE  $\varnothing .500$  [12.70]  $\square$   $\varnothing .754$  [19.02]  $\nabla .052$  [1.30]. O-RINGS ARE  $\varnothing .614$  [15.60] ID X  $\varnothing .070$  [1.78] SECTION (UNIVERSAL SIZE -16). PILOT PORT IS  $\varnothing .125$  [3.18]  $\square$   $\varnothing .441$  [11.20]  $\nabla .052$  [1.30]. O-RINGS ARE  $\varnothing .301$  [7.65] ID X  $\varnothing .070$  [1.78] CROSS SECTION (UNIVERSAL SIZE -11). SEAL MATERIAL: VITON B.
  6. SURFACE TO WHICH VALVE IS MOUNTED REQUIRES  $\sqrt{32}$  /  $\sqrt{0.8}$  /  $\square .001$  [0.025].
  7. SUGGESTED MOUNTING SCREWS: .312-18 UNC X 2.50 LONG (M8 X 65 LONG) SOCKET HEAD CAP SCREWS.
  8. SERVOVALVE POLARITY: FLOW OUT CONTROL PORT "A" WHEN: SINGLE COIL: A+ B- OR C+ D- SERIES OPERATION: A&C TIED, B&D TIED, A&C+ B&D-
  9. BLUE COLORED END CAP DESIGNATES SECOND STAGE SPRING. WITH A LOSS OF FIRST STAGE SUPPLY PRESSURE, CONTROL PORT "A" IS CONNECTED TO RETURN.



ACCESS TO FIELD REPLACEABLE FILTER  
MOOG PART NUMBER B52418-002  
(.125 HEX SOCKET & .073-72 UNF THREAD)  
PROTECTIVE PLUG REMOVED FOR CLARITY



ELECTRICAL SCHEMATIC 8

INTERNATIONAL PART

QTY	REGD	PART OR IDENTIFYING NO.	NOMENCLATURE OR DESCRIPTION	BALLOON NO.

-743 SERIES		INSTALLATION	
PARTS LIST			
MOOG INC.			
MOOG INC., EAST AURORA, NY 14052			
TITLE: INSTALLATION -743 SERIES SERVOVALVE			
CONTRACT NO.		DWG NO. G3043	
PREPARED	MCD	B-3-94	
CHECKED	MDW	B/18-94	
MGR ENGR	DKB	B/24-94	
DES ENGR	MCD	B-3-94	
PRD ENGR			
APL ENGR			
MFG	RCS	B/24-94	
QUAL	MF	B/18-94	
SCALE	2/1		