

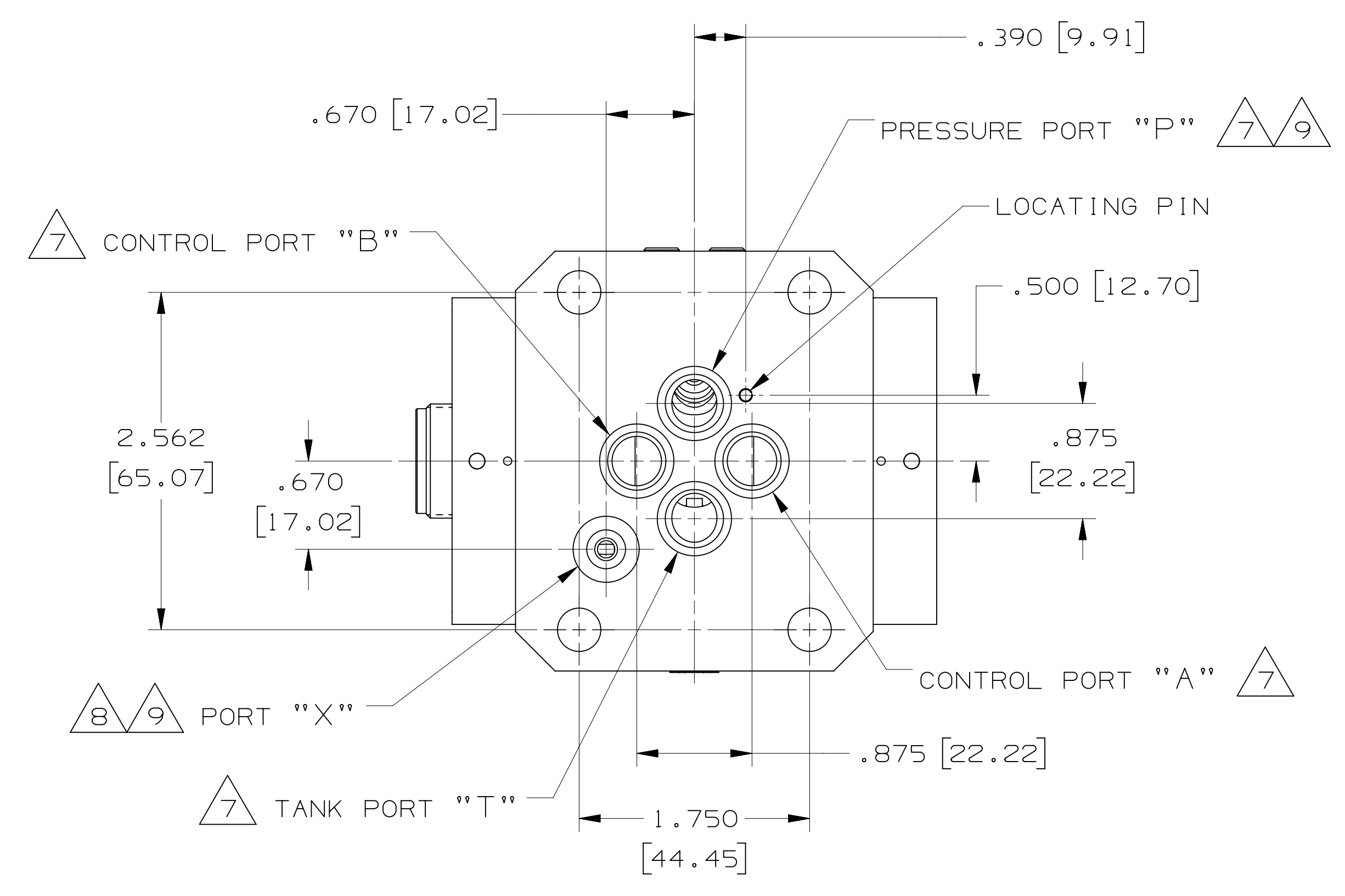
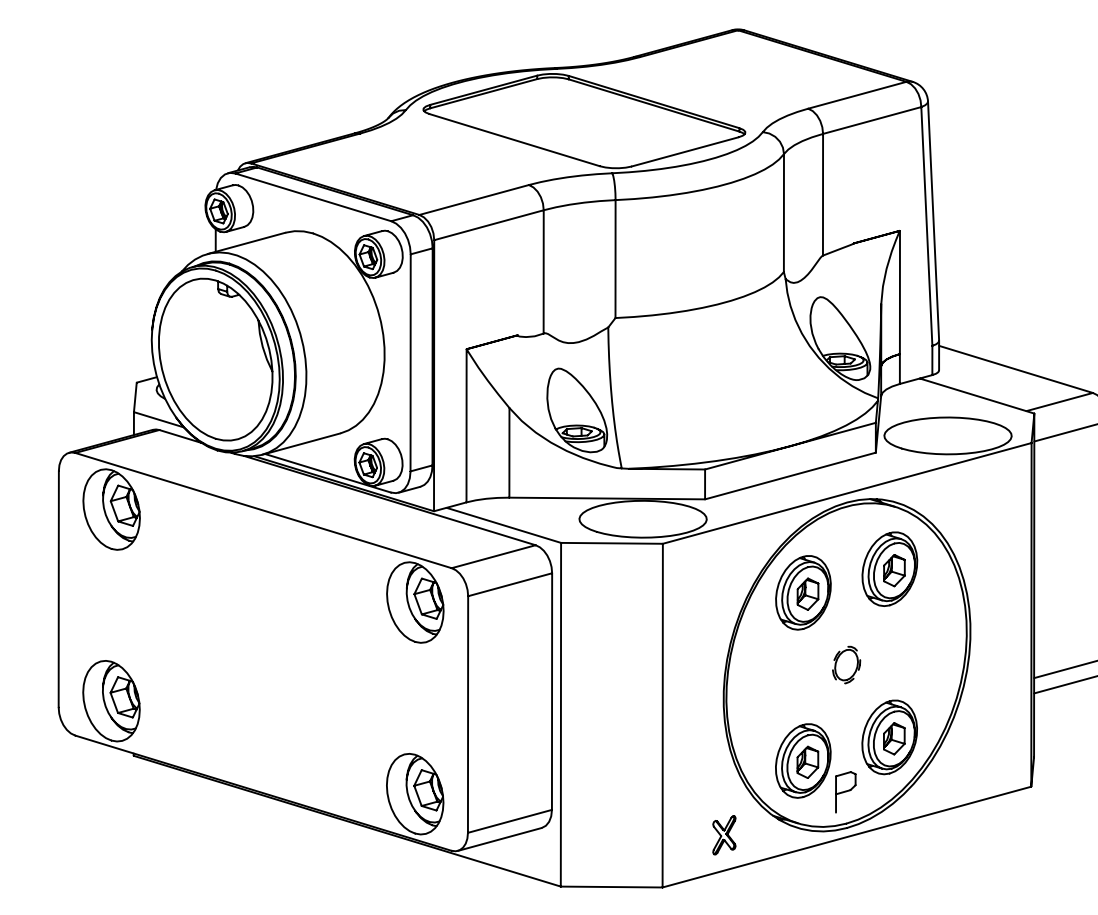
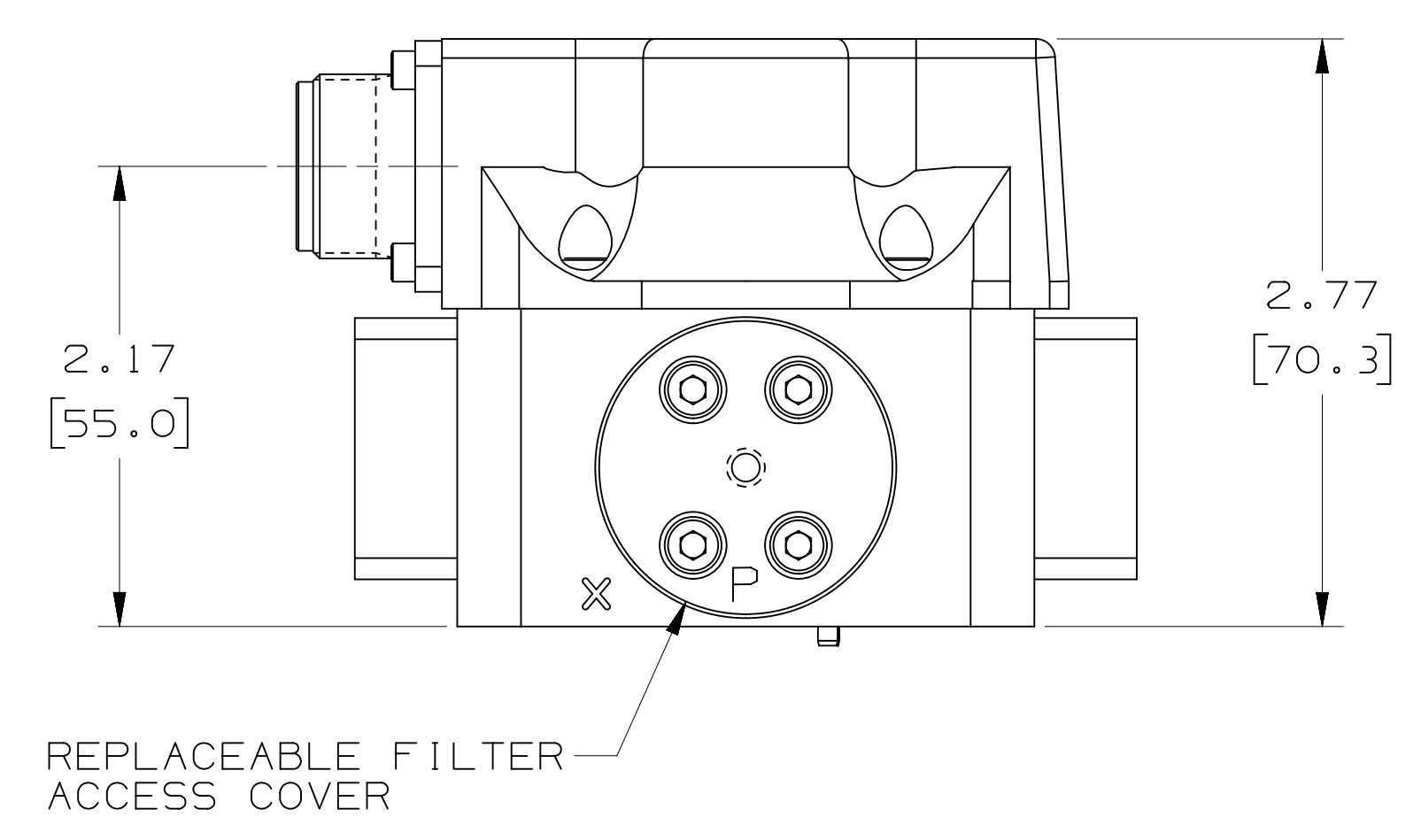
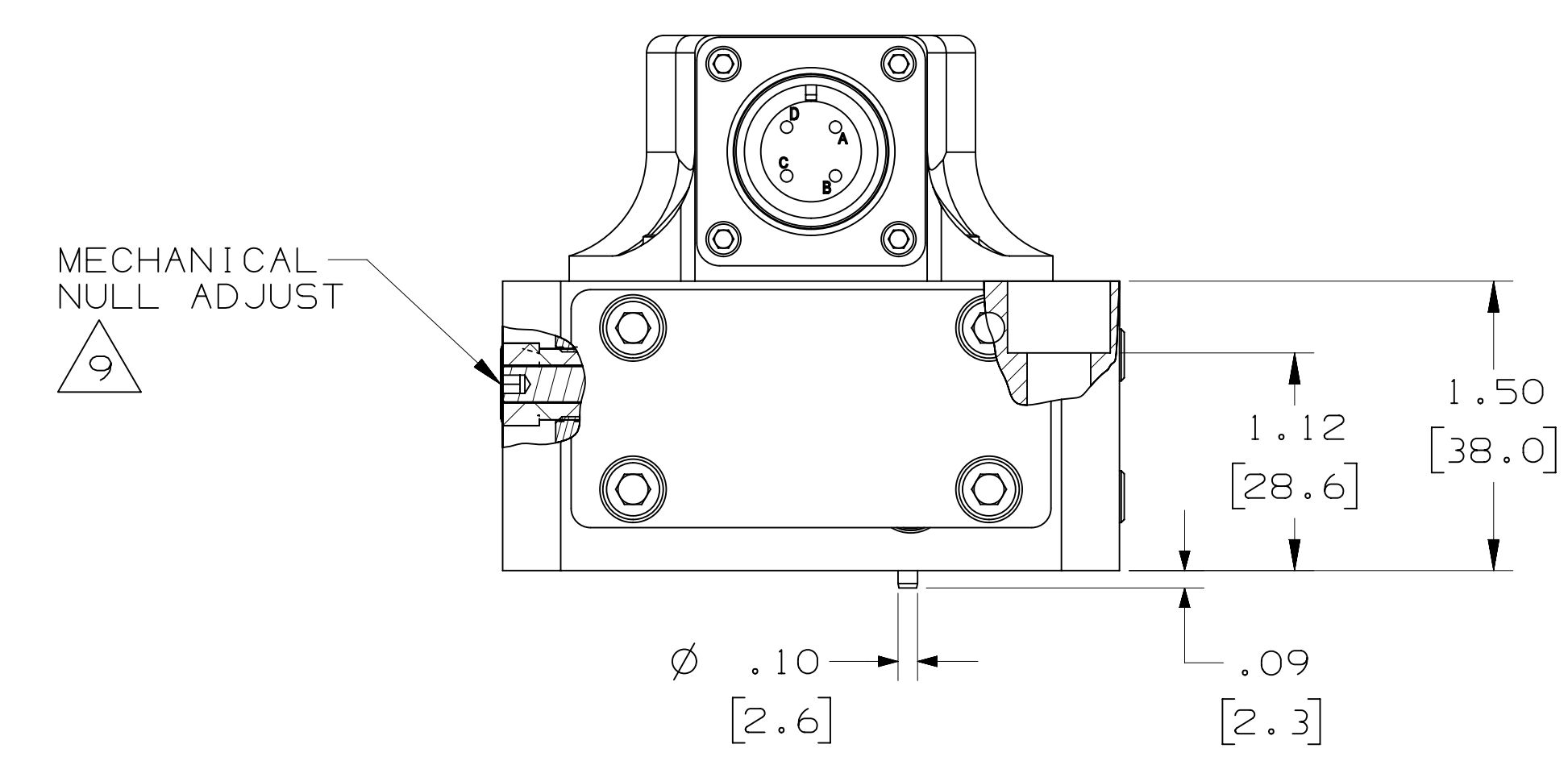
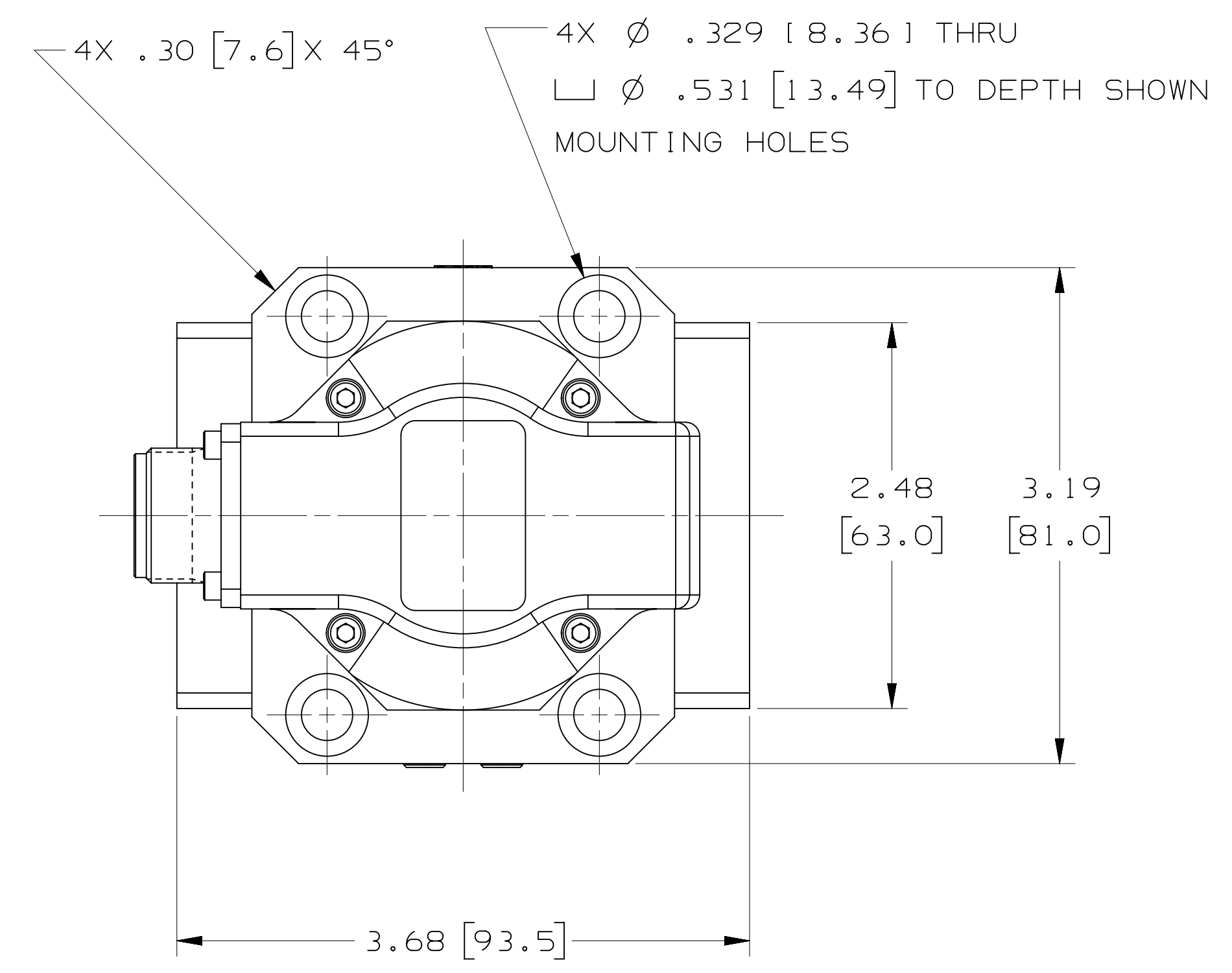
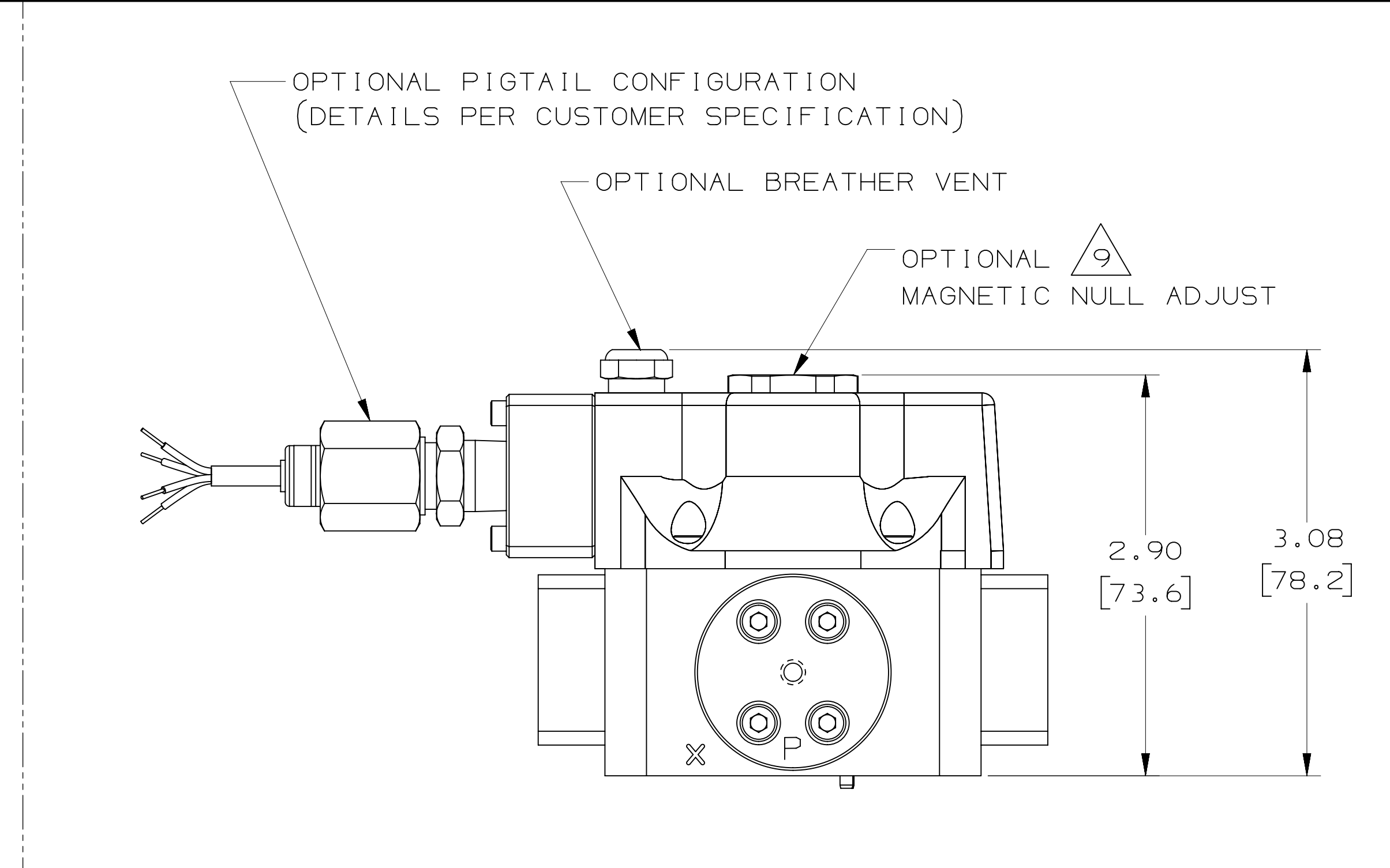
THIS TECHNICAL DATA/DRAWING/DOCUMENT CONTAINS MOOG PROPRIETARY AND CONFIDENTIAL INFORMATION. SUBSIDIARIES EXCEPT AS EXPRESSLY GRANTED BY CONTRACT OR BY OPERATION OF LAW AND IS RESTRICTED TO USE BY ONLY MOOG EMPLOYEES AND OTHER PERSONS AUTHORIZED IN WRITING BY MOOG OR AS EXPRESSLY GRANTED BY CONTRACT OR BY OPERATION OF LAW. NO PORTION OF THIS DATA/DOCUMENT SHALL BE REPRODUCED OR DISCLOSED OR FURNISHED IN WHOLE OR IN PART TO OTHERS OR USED BY OTHERS FOR ANY PURPOSE WHATSOEVER EXCEPT AS SPECIFICALLY AUTHORIZED IN WRITING BY MOOG INC. OR MOOG INC. SUBSIDIARY.

THIS DOCUMENT CONTAINS TECHNOLOGY SUBJECT TO THE U.S. EXPORT ADMINISTRATION REGULATIONS (EAR) AND MAY NOT BE EXPORTED OR TRANSFERRED TO ANY UNLICENSED REGION, COUNTRY, OR COMPANY, BY ANY MEANS, OR FOR END-USE REGULATING A LICENSE, WITHOUT PRIOR WRITTEN APPROVAL FROM THE U.S. DEPARTMENT OF COMMERCE, BUREAU OF INDUSTRY AND SECURITY (BIS). DIVERSION CONTRARY TO U.S. LAW IS PROHIBITED.

ZONE		REV	DESCRIPTION	DATE	APPROVED
-		SEE	EO UE I062238: RELEASE	20160930	MJN/SRW/MEL

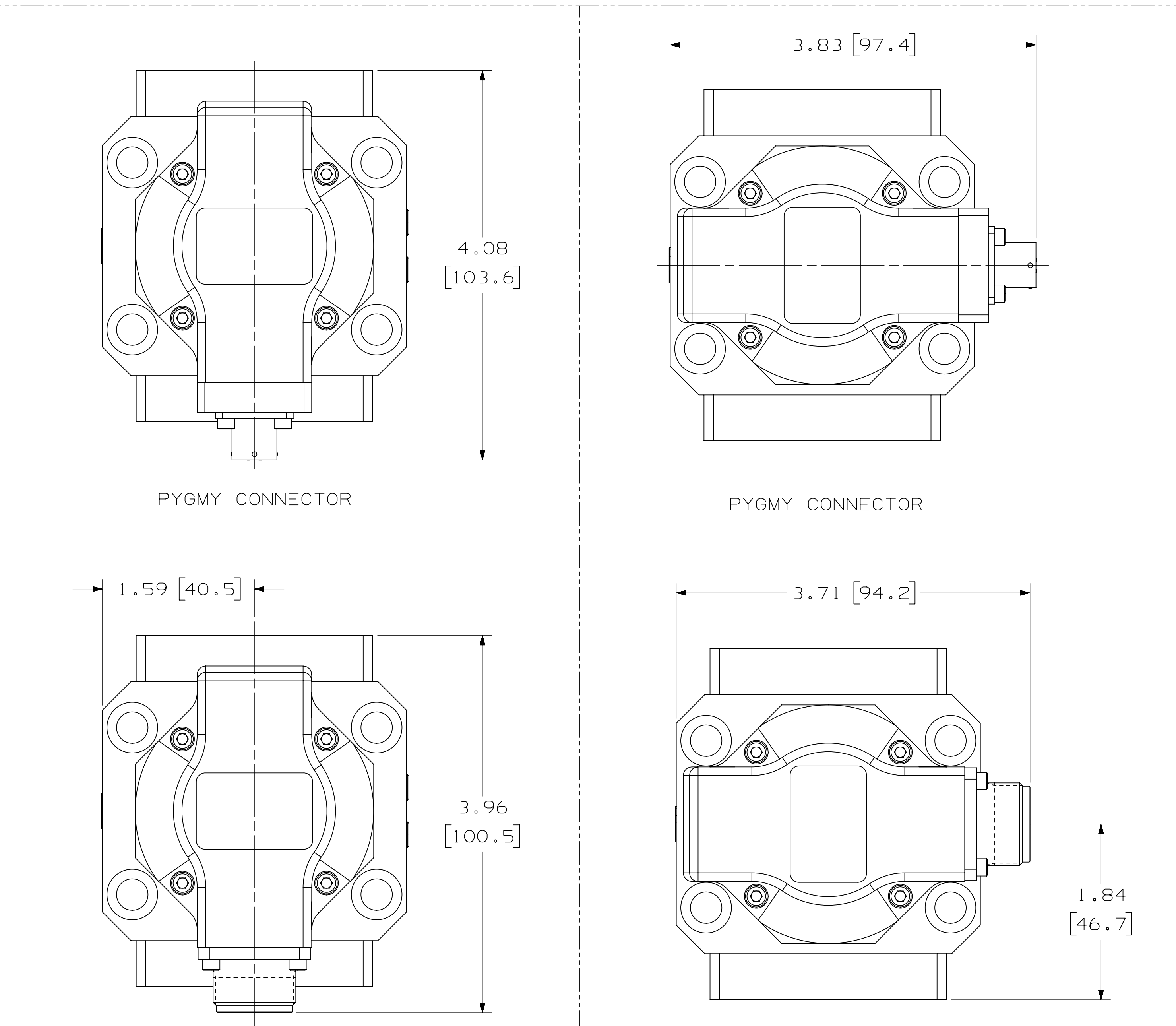
NOTES:

- FLUID:
TYPE: DEPENDENT ON SEAL MATERIAL: SEE TYPE CODE POSITION "8" ON SHEET 2.
RECOMMENDED VISCOSITY RANGE AT 38°C (100°F): 10 TO 97 mm²/s (cSt).
CLEANLINESS LEVEL PER ISO 4406:
NORMAL LIFE: 17/14/11
LONG LIFE: 15/13/10
- STANDARD TEMPERATURE RANGE: -20°F TO +275°F (-29°C TO +135°C).
- MAXIMUM OPERATING PRESSURE: SEE TYPE CODE POSITION "3" ON SHEET 2.
- STANDARD POLARITY OPERATION: (REFERENCE ELECTRICAL SCHEMATIC ON SHEET 2)
FLOWOUT PORT "B" WILL RESULT WHEN:
SERIES: A+, D-, B & C TIED
PARALLEL: A & C TIED +, B & D TIED -
SINGLE: A+, B- OR C+, D-
- ELECTRICAL CONNECTOR: SEE TYPE CODE POSITION "9" ON SHEET 2.
- DIMENSIONS ARE FOR REFERENCE ONLY.
DIMENSIONS IN BRACKETS [] ARE IN MILLIMETERS.
- PORTS P, T, A, B:
□ Ø .563 [14.30] ▽ .055 [1.40].
O-RINGS: .426 [10.82] I.D. X .070 [1.78] CROSS SECTION (UNIVERSAL SIZE -013).
- PORT "X":
□ .500 [12.70] ▽ .052 [1.32].
O-RING: .364 I.D. X .070 [1.78] CROSS SECTION (UNIVERSAL SIZE -012).
- FOR INFORMATION/INSTRUCTION ON THE FOLLOWING, REFER TO:
"G761/761 SERIES INSTALLATION AND OPERATION INSTRUCTION" (CDS6673), AVAILABLE ON www.moog.com/installation.
A.) NULL ADJUSTMENT.
B.) PILOT OIL SUPPLY (INTERNAL VS EXTERNAL).
- SURFACE TO WHICH VALVE IS MOUNTED REQUIRES $\sqrt[32]{0.8}$ [1], $\square .001$ [0.025].
- SUGGESTED MOUNTING SCREWS: .312-18 X 1.750 LONG (M8 X 45 LONG) SOCKET HEAD CAP SCREWS.
- FOR ACCESSORIES AND SPARE PARTS SEE G761/761 SERIES CATALOG (CDL6642) ON www.moog.com.



REFERENCE MOUNTING PATTERN SPECIFICATION
ISO 10372-04-04-0-92
(EXCEPT FOR PORT "X" LOCATION)

INTERNATIONAL PART



CONNECTOR ORIENTATION OVER CONTROL PORT "B"
OPTIONAL CONNECTOR ORIENTATION OVER CONTROL PORT "A" (180°) WOULD YIELD THE SAME DIMENSIONS
SEE TYPE CODE POSITION "9" ON SHEET 2

CONNECTOR ORIENTATION OVER PRESSURE PORT "P"
OPTIONAL CONNECTOR ORIENTATION OVER TANK PORT "T" (180°) WOULD YIELD THE SAME DIMENSIONS
SEE TYPE CODE POSITION "9" ON SHEET 2

LAST SECTION/DATUM	THIRD ANGLE PROJECTION	NEXT ASSEMBLY	USED ON	UNLESS OTHERWISE SPECIFIED: DIMENSIONS: .01 .xxx . .005 ANGLES: 0° 30' FILLET R: .015 EDGES: .010 SURFACE FINISH: 125 CONCENTRIC DIAMETERS: 1.000 DIN 1135 ALL DIMENSIONS ARE IN INCHES PART TO BE FREE OF BURRS	INTERPRET DRAWING PER MIL-STD-1300 DIMENSIONING AND TOLERANCING PER ASME Y14.5M-1994	CONTRACT NO.	MOOG INC.
						PREPARED: M. NEUREUTHER 20160923 CHECKED: M. LUDLOW 20160928 MGR ENGR: S. WILKINSON 20160928 DES ENGR: M. LUDLOW 20160928 PRD ENGR: APL ENGR: MFG: T. JENDERSECK 20160930 QUAL: R. VOIT 20160929	MOOG INC., EAST AURORA, NY 14052 TITLE: INSTALLATION, X761 SERIES VALVE (US 5TH PORT) SIZE: E94697 SCALE: 5/4
				PART NO. CC26327		DWG NO. CC26327	
				SHEET 1 OF 2		UNIGRAPHICS DATA BASE	

TYPE CODE DESIGNATION - AS SHOWN ON NAMEPLATE OF SERVO VALVE.
(EXAMPLE: H10J0FMSVPM)

POSITION	1	2	3	4	5	6	7	8	9	10	11
CODE	H	1	0	J	0	F	M	S	V	P	M

POSITION "3" (PRESSURE RATINGS):

CODE	MAXIMUM DESIGN (OPERATING)			NORMAL TEST			PROOF		
	MPA	BAR	PSI	MPA	BAR	PSI	MPA	BAR	PSI
J (ALUMINUM BODY)	31.5	315	4500	21.0	210	3000	31.5	315	4500
K (STEEL BODY)	35.0	350	5000	28.0	280	4000	51.5	515	7500

POSITION "8" (SEAL MATERIAL):

CODE	MATERIAL
E	EPDM
F	GT SEALS (FKM)
G	GT SEALS (NBR)
N	NBR (BUNA)
U	PUR (ULTRATHAN) AND FKM (VITON)
V	FKM (VITON)
X	SPECIAL VERSION

POSITION "9" (VALVE CONNECTOR, TYPE AND ORIENTATION OVER PORT):

CODE	TYPE	ORIENTATION	MATES WITH
A	4 PIN MS THREADED	CONNECTOR OVER PORT A (C1)	MS3106-14S-2S OR EQUIVALENT
B	4 PIN MS THREADED	CONNECTOR OVER PORT B (C2)	MS3106-14S-2S OR EQUIVALENT
C	6 PIN MS THREADED	CONNECTOR OVER PORT A (C1)	MS3106-14S-6S OR EQUIVALENT
P	4 PIN MS THREADED	CONNECTOR OVER PORT P	MS3106-14S-2S OR EQUIVALENT
R	6 PIN MS THREADED	CONNECTOR OVER PORT T	MS3106-14S-6S OR EQUIVALENT
T	4 PIN MS THREADED	CONNECTOR OVER PORT T	MS3106-14S-2S OR EQUIVALENT
U	6 PIN MS THREADED	CONNECTOR OVER PORT P	MS3106-14S-6S OR EQUIVALENT
V	PYGMY CONNECTOR	8-SHELL CONNECTOR ANY ORIENTATION	PT06-8-4S OR EQUIVALENT
X	SPECIAL VERSIONS		
I	4 LEAD PIGTAIL	CONNECTOR OVER PORT B (C2)	N/A
3	4 LEAD PIGTAIL	CONNECTOR OVER PORT P	N/A

POSITION "11" (SPECIAL VERSIONS):

CODE	VALVE VERSION
N	MAGNETIC NULL ADJUST
V	VENTED MOTOR CAP
X	SPECIAL VERSION

