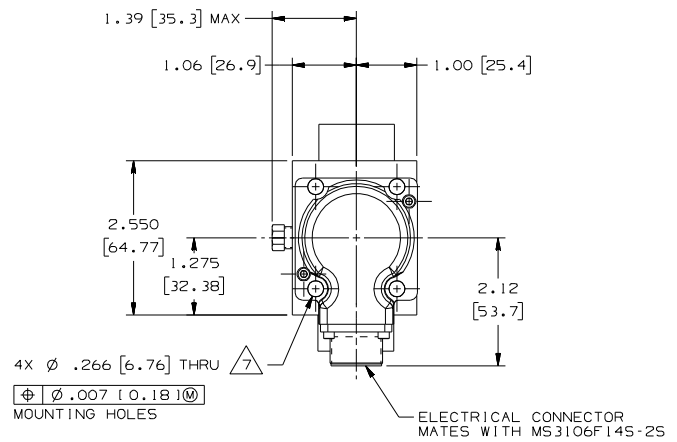
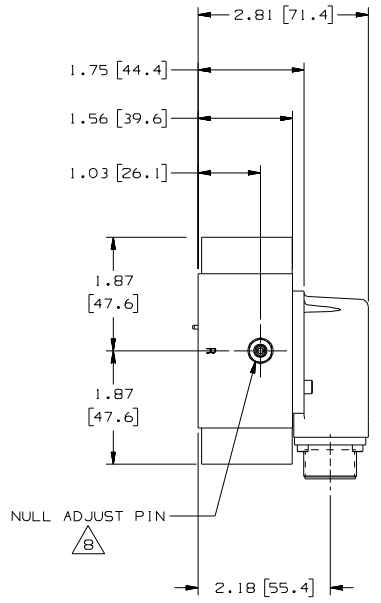
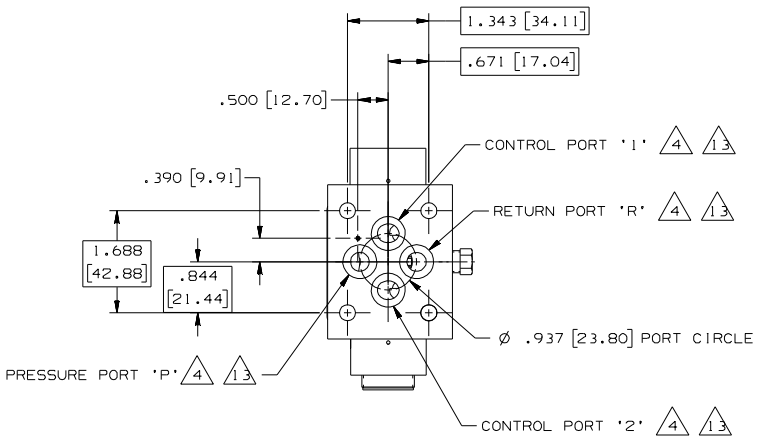
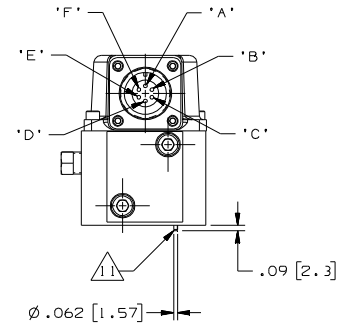
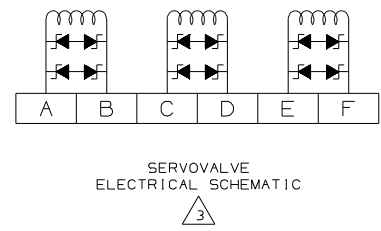


THIS TECHNICAL DATA/DRIVING DOCUMENT CONTAINS PROPRIETARY AND CONFIDENTIAL INFORMATION. IT IS THE EXPRESS PROPERTY OF MOOG INC. OR MOOG INC. SUBSIDIARIES EXCEPT AS EXPRESSLY GRANTED BY CONTRACT OR BY OPERATION OF LAW AND IS RESTRICTED TO USE BY ONLY MOOG EMPLOYEES AND OTHER PERSONS AUTHORIZED IN WRITING BY MOOG OR ITS EXPRESSLY GRANTED BY CONTRACT OR BY OPERATION OF LAW. NO PORTION OF THIS DATA/DRIVING DOCUMENT SHALL BE REPRODUCED OR DISCLOSED OR COPIED OR FURNISHED IN WHOLE OR IN PART TO OTHERS OR USED BY OTHERS FOR ANY PURPOSE WHATSOEVER EXCEPT AS SPECIFICALLY AUTHORIZED IN WRITING BY MOOG INC. OR MOOG INC. SUBSIDIARY.

DES. NO.	CA19802	REV.	
REVISIONS			
ZONE	REV.	DESCRIPTION	DATE APPROVED
C	SEE	EO UE1033910	20100831 KJY/DRK



- NOTES:
- FLUID: INDUSTRIAL TYPE PETROLEUM BASE HYDRAULIC FLUID. 10 MICRON (25 ABSOLUTE) FILTRATION REQUIRED.
 - AMBIENT TEMPERATURE RANGE: -40°F TO +275°F (-40°C TO +135°C).
 - VALVE PHASING: FLOW OUT PORT '2' WILL RESULT WHEN: SINGLE COIL: A+, B-; OR C+, D-; OR E+, F-.
 - 4 PORT O-RINGS .070 [1.78] SECT. X .426 [10.82] ID HAVING COMPATIBLE O-RING COMPOUND (UNIVERSAL DASH NO. 013).
 - SURFACE TO WHICH VALVE IS MOUNTED REQUIRES $\sqrt{11.6} 63/$ FINISH. FLAT WITHIN .001 [0.03] TIR.
 - DIMENSIONS WITHOUT TOLERANCE ARE FOR REFERENCE ONLY. DIMENSIONS IN BRACKETS () ARE IN MILLIMETERS.
 - SUGGESTED MOUNTING SCREWS: .250-20 UNC OR .250-28 UNF X 2.25 LONG SOCKET HEAD CAP SCREWS - 4 REQUIRED. TORQUE TO 17-25 IN LB.
 - NULL ADJUST: FLOW OUT CONTROL PORT '2' WILL INCREASE WITH CLOCKWISE ROTATION OF NULL ADJUST SCREW (3/32 HEX KEY).
 - APPROVED BY FM AS INTRINSICALLY SAFE FOR CLASS I, II, AND III, DIVISION I, GROUPS A, B, C, AND D, WHEN WIRED IN ACCORDANCE WITH MOOG CONTROL DRAWING G4400. SEE VALVE NAMEPLATE FOR COIL PART NUMBER.
 - APPROVED BY KEMA QUALITY B.V. AS Ex ia IIC T4 FOR CATEGORY 1G AND Ex na II T3..T4 FOR CATEGORY 3G. REFER TO MOOG CONTROL DRAWING G4400 FOR SPECIFIC APPROVAL PARAMETERS. SEE VALVE NAMEPLATE FOR COIL PART NUMBER.
 - LOCATION PIN OPTIONAL: CUSTOMER SPECIFIED.
 - APPROVED BY TIIS AS INTRINSICALLY SAFE FOR Ex ia IIC/IIIB T4. CONTACT MOOG FOR APPROVED SYSTEM PARAMETERS. SEE VALVE NAMEPLATE FOR COIL PART NUMBER.
 - P, R, 1 & 2 PORTS: .312 [7.92] DIA CBORED NOMINALLY .562 [14.27] DIA X .055 [1.40] DEEP.



INTERNATIONAL PART

LAST SECTION/DATUM		UNLESS OTHERWISE SPECIFIED
THIRD ANGLE PROJECTION		ANGULARITY: ± 0.1 XXX $\pm .003$
		ANGULARITY: $0^\circ 30'$
		FILLET: 0.15 RAD
		EDGES: 0.10 RAD OR CHAM
		SURFACE ROUGHNESS: 125
		PER ANSI Y14.36 & 34.1
		CONCENTRIC DIMETERS: 0.008
		SPALL POINTS: 115' - 120'
		ALL DIMENSIONS ARE IN INCHES
		PART TO BE FREE OF BURRS

G773K SERIES		INSTALLATION, G773K SERIES	
QTY REQD	PART OR IDENTIFYING NO.	NOMENCLATURE OR DESCRIPTION	BALLOON NO.
PARTS LIST			
CONTRACT NO.		MOOG INC.	
PREPARED L. WENDEL 20060615		MOOG INC., EAST AURORA, NY 14092	
CHECKED		TITLE	
MGR ENGR		INSTALLATION, G773K SERIES	
DES ENGR		R126 CASE CODE	
PRD ENGR		D94697	
APL ENGR		DES. NO. CA19802	
MFR		SCALE 1/1	
QUAL		SHEET	