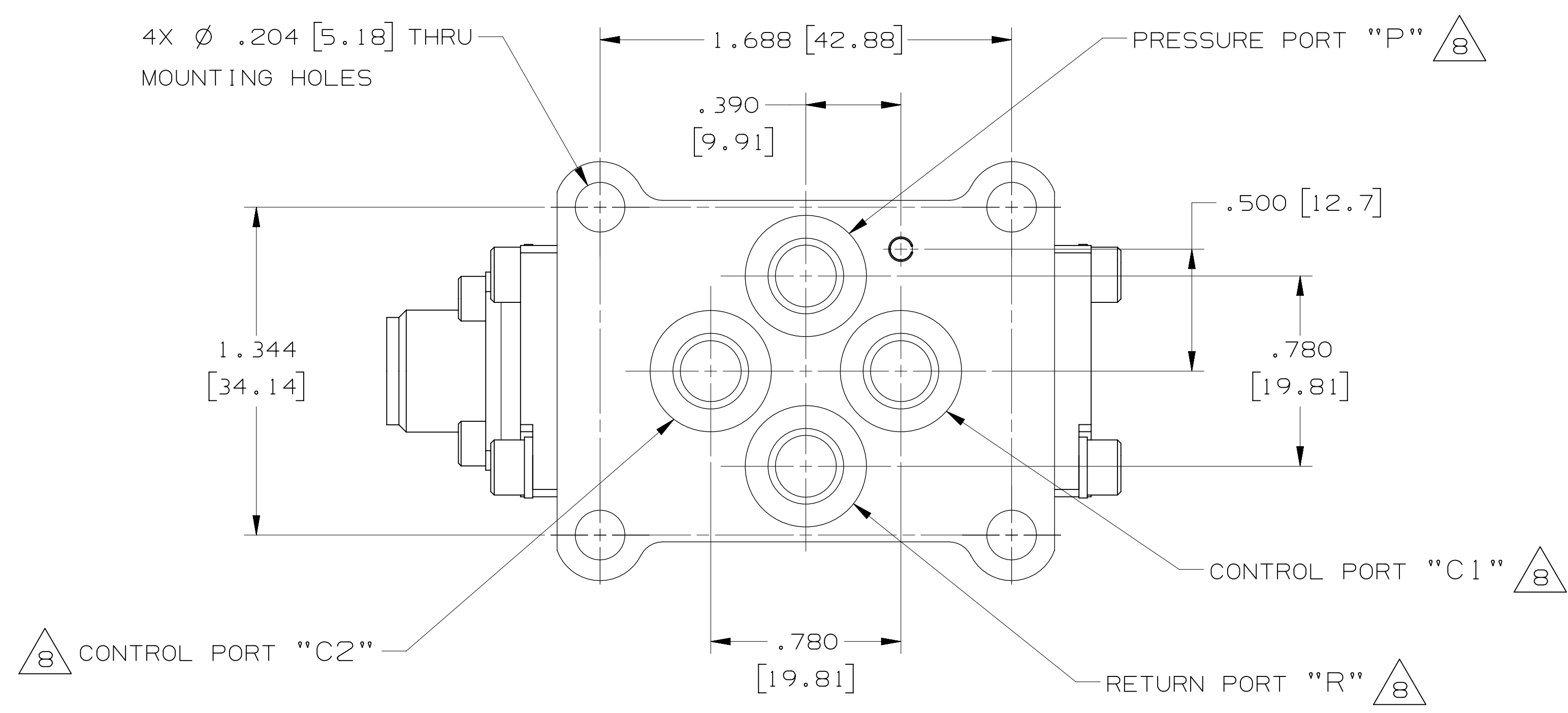
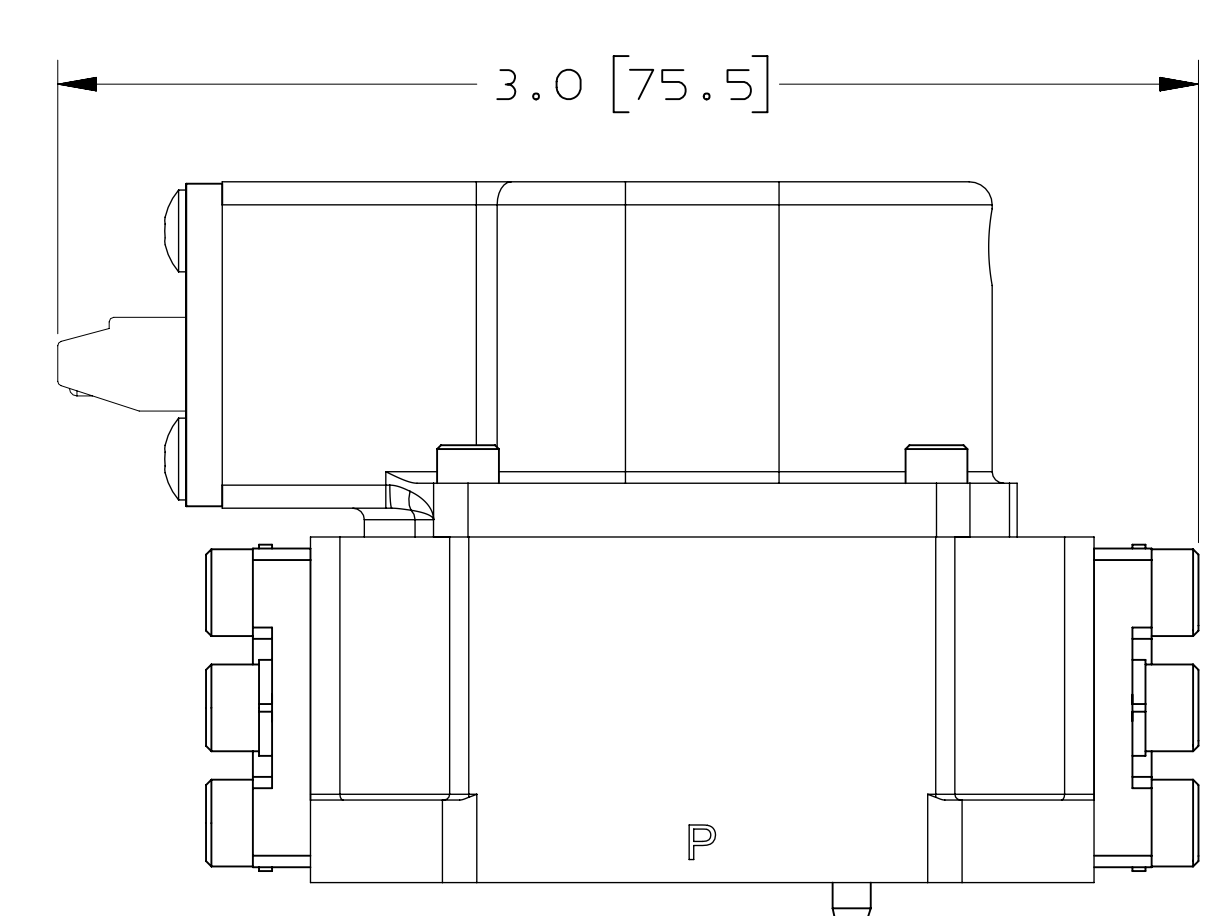
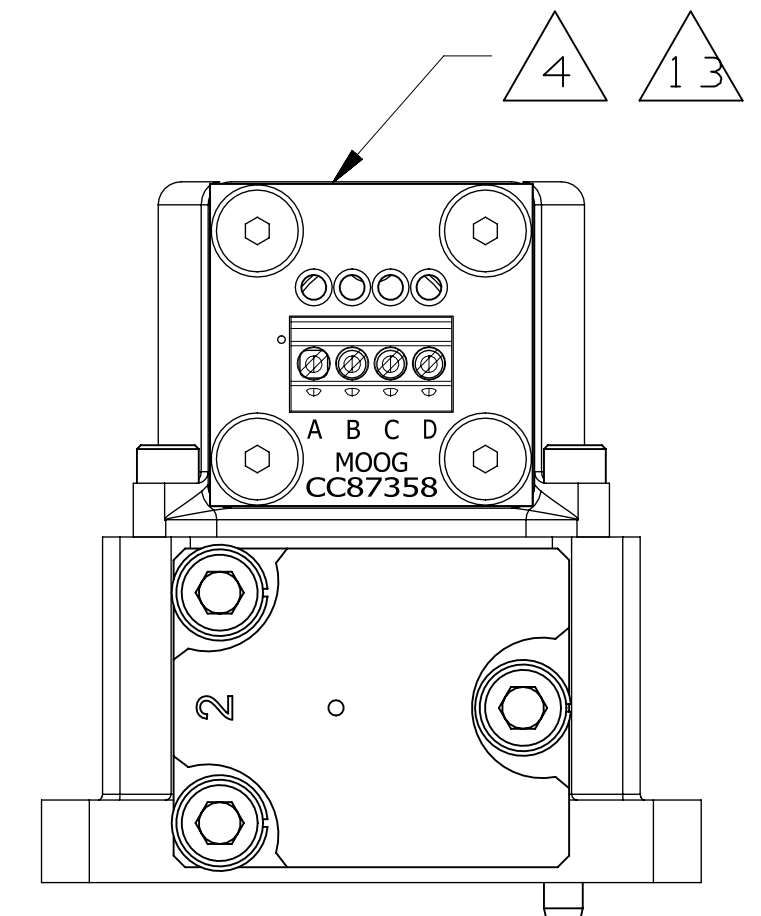
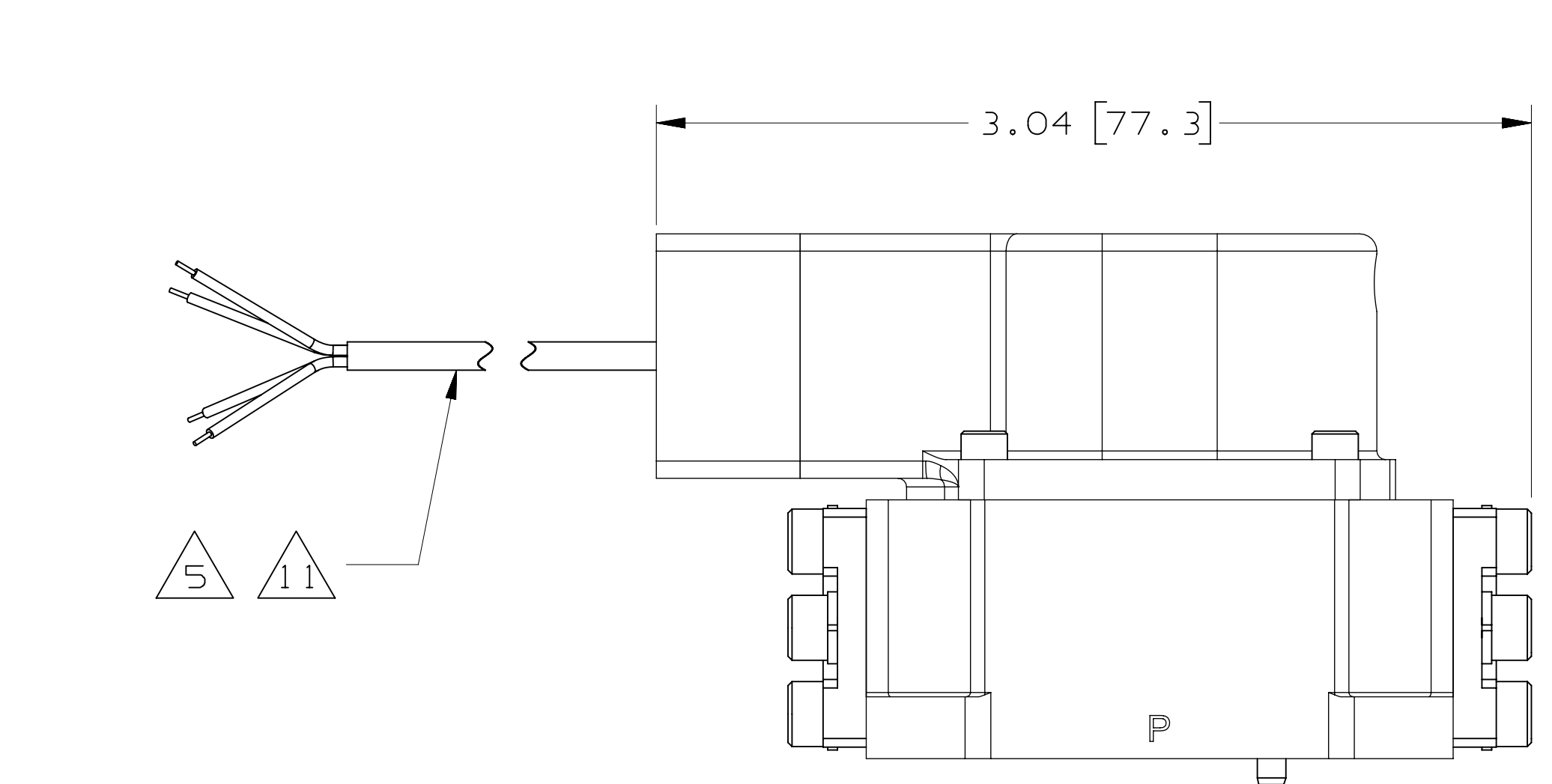
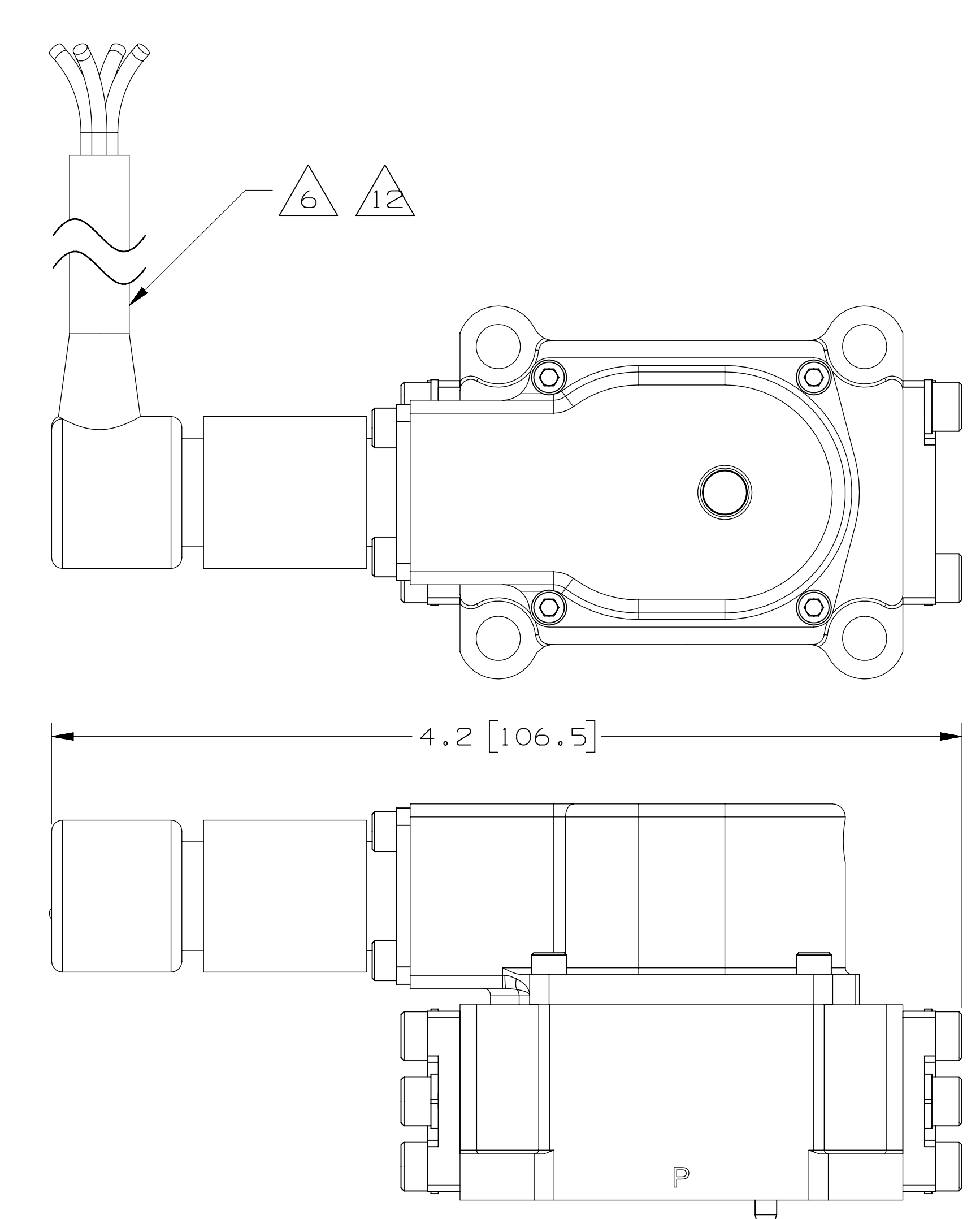
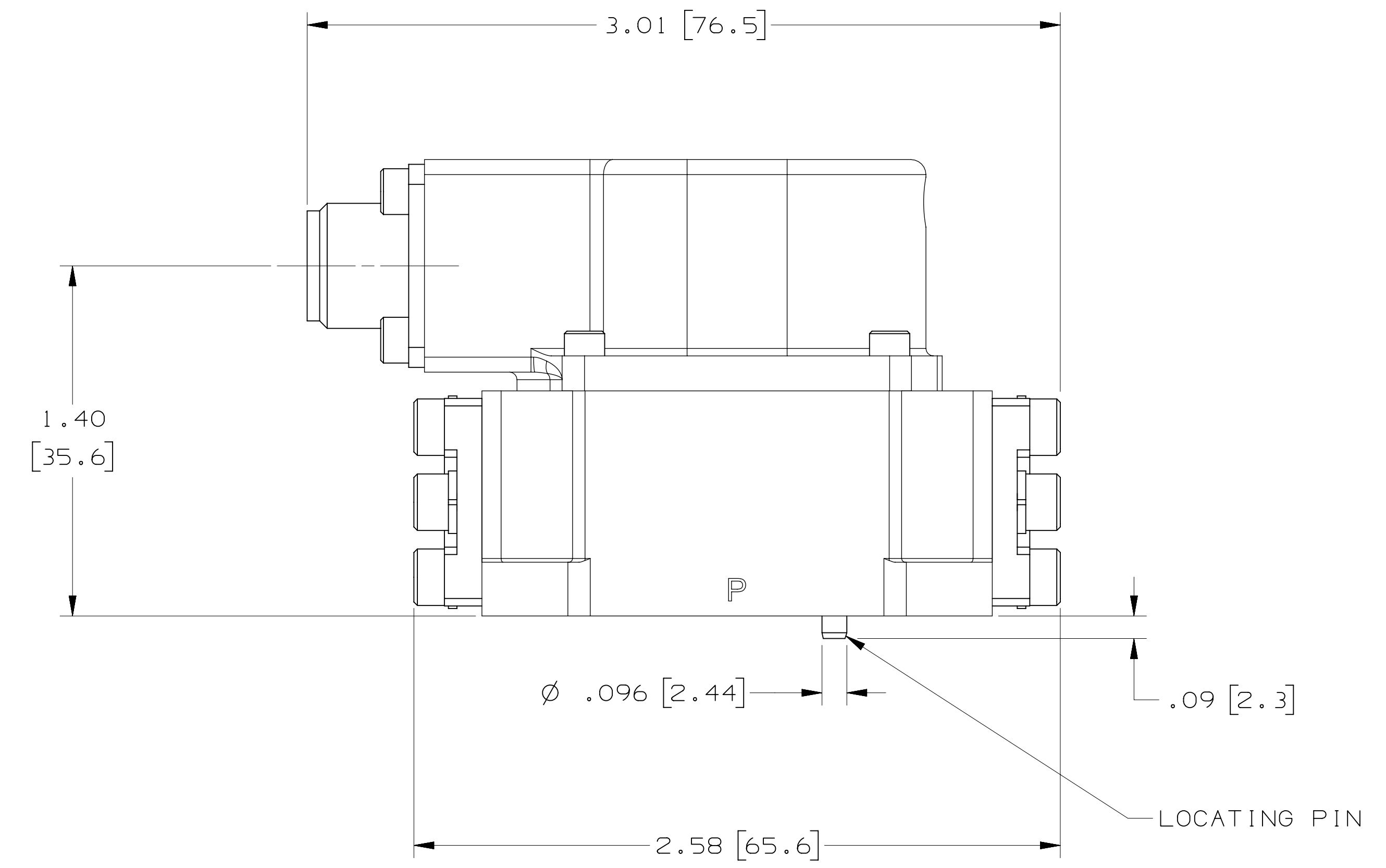
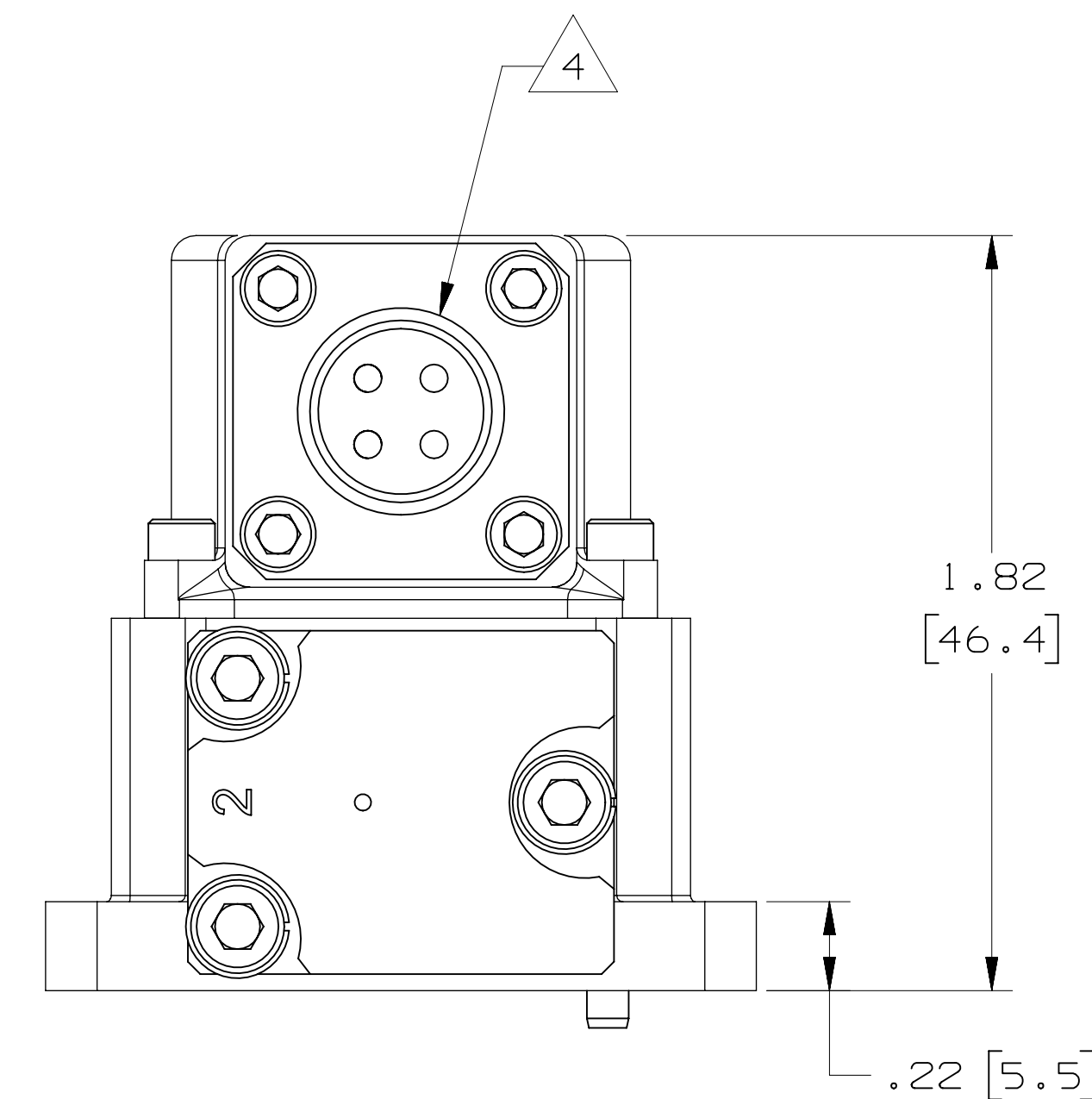
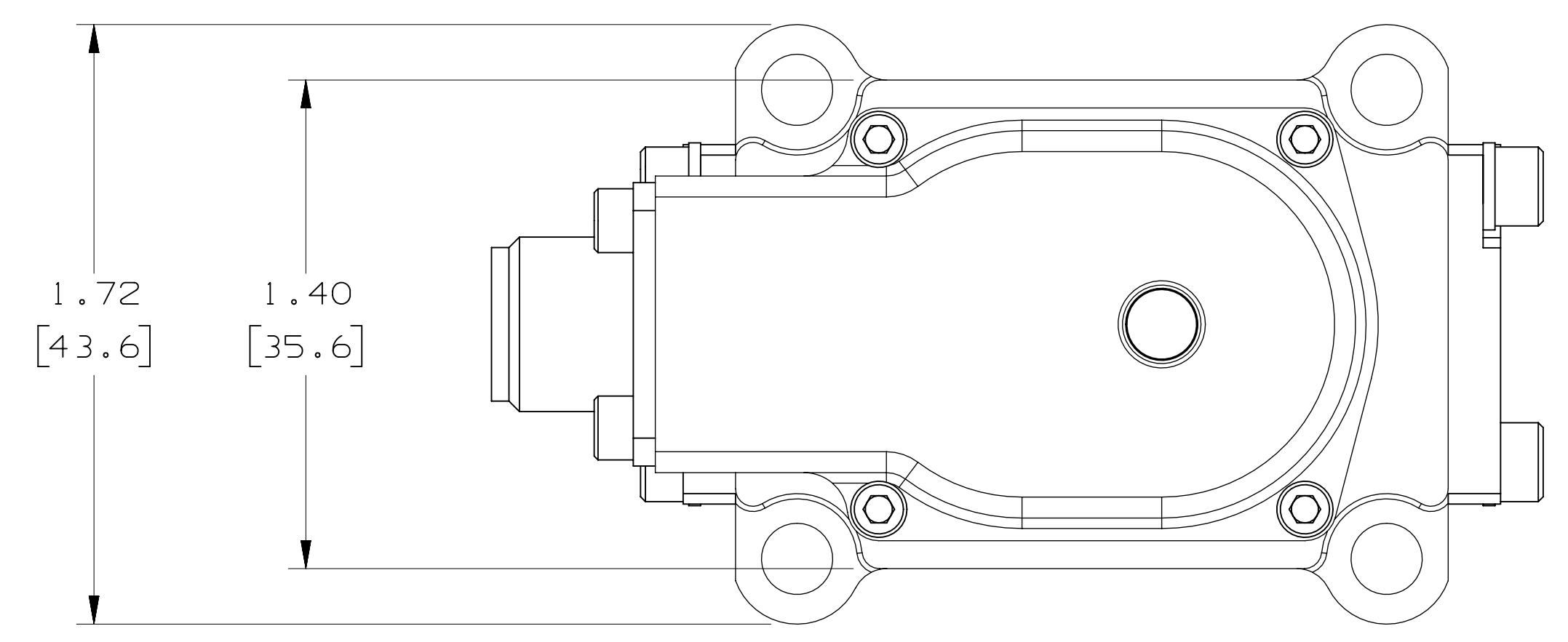


REV		DESCRIPTION	DATE	APPROVED
-	EO UE1066070	RELEASE	20180604	MJN/RJM
A	SEE EO UE1066588		20181101	MJN/RJM
B	SEE EO UE1068373		20190618	MJN/RJM
C	SEE EO UE1071850		20210126	RCT/RJM
D	SEE EO UE1071851		20210201	RCT/RJM

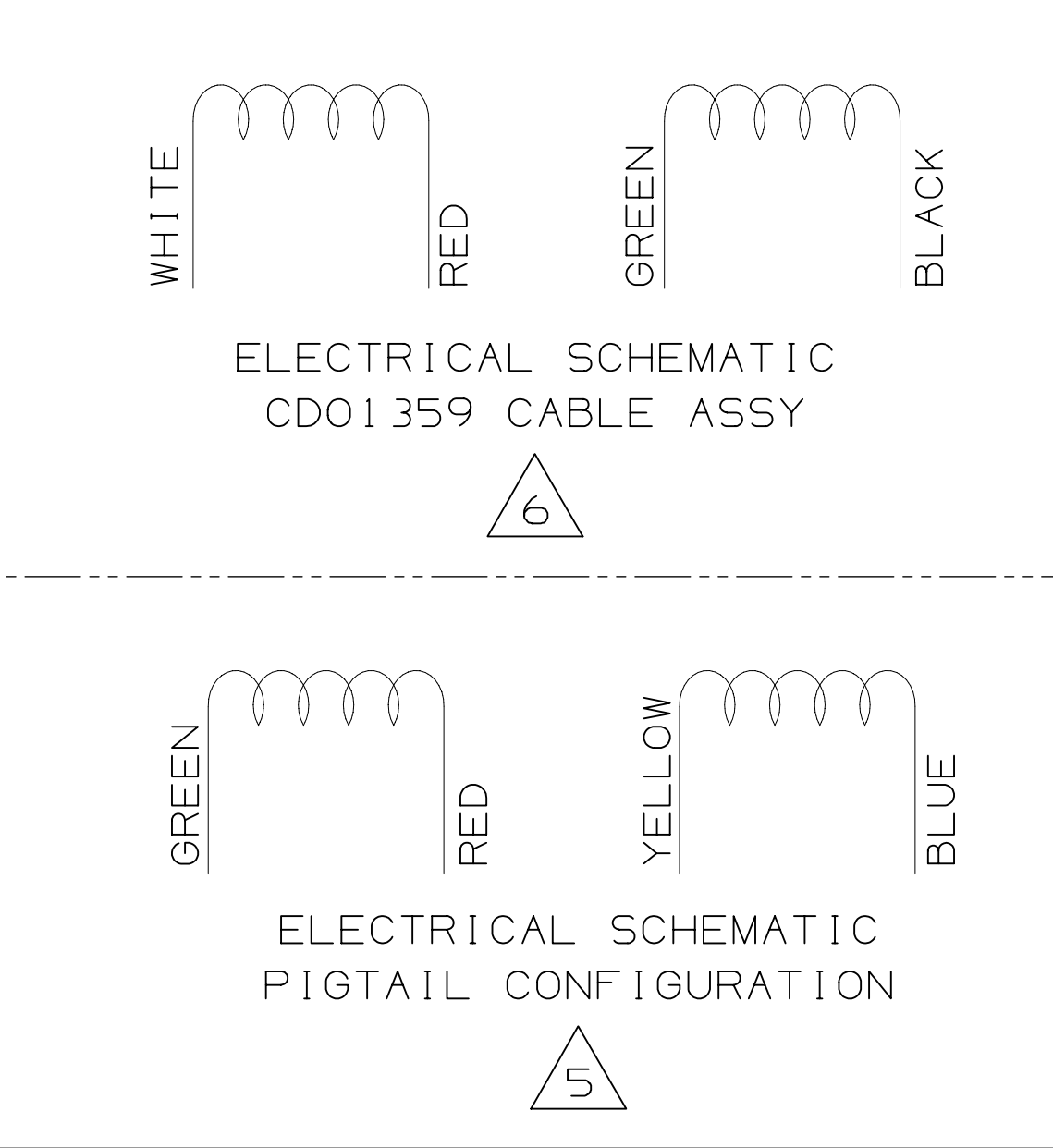
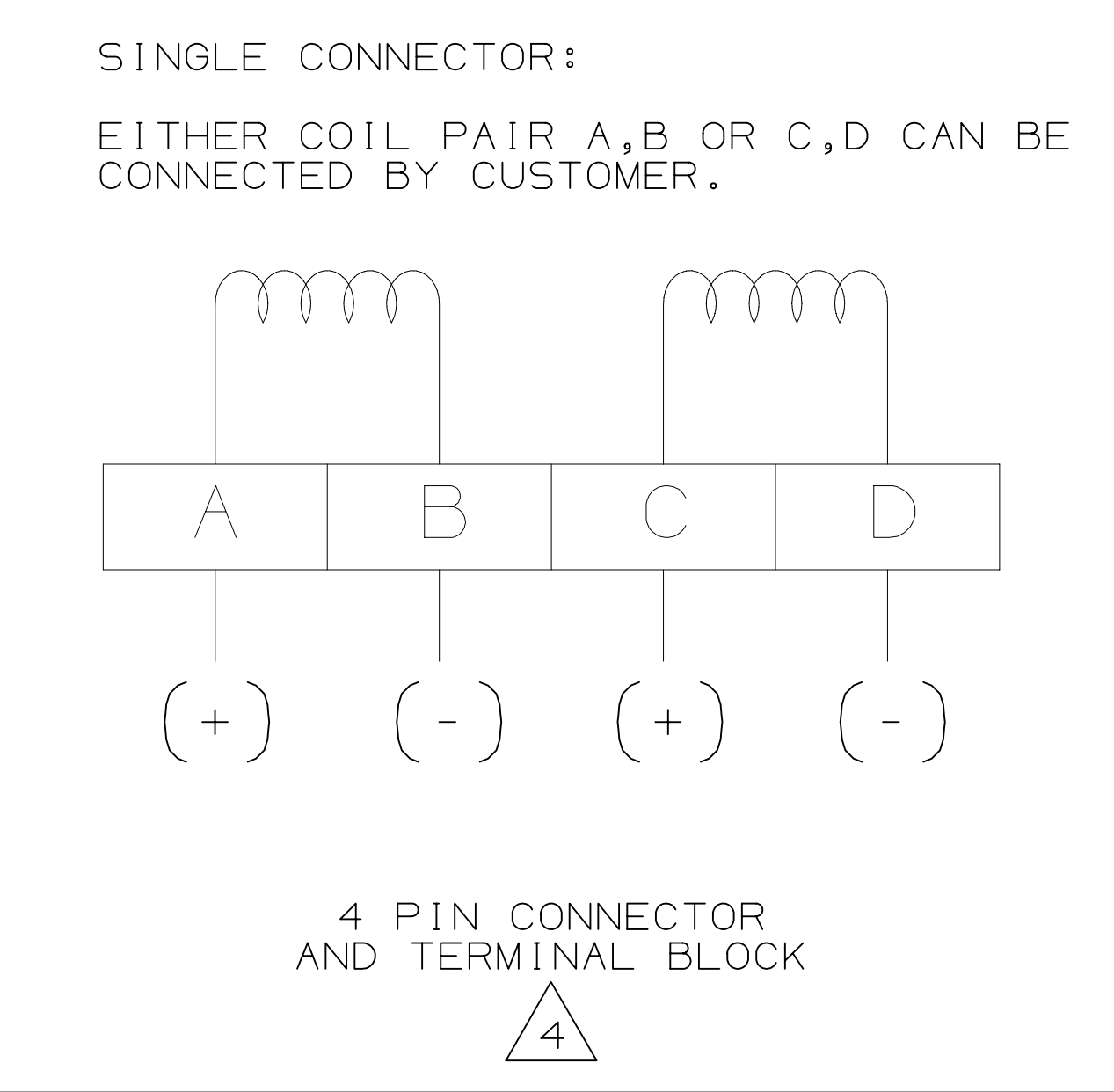
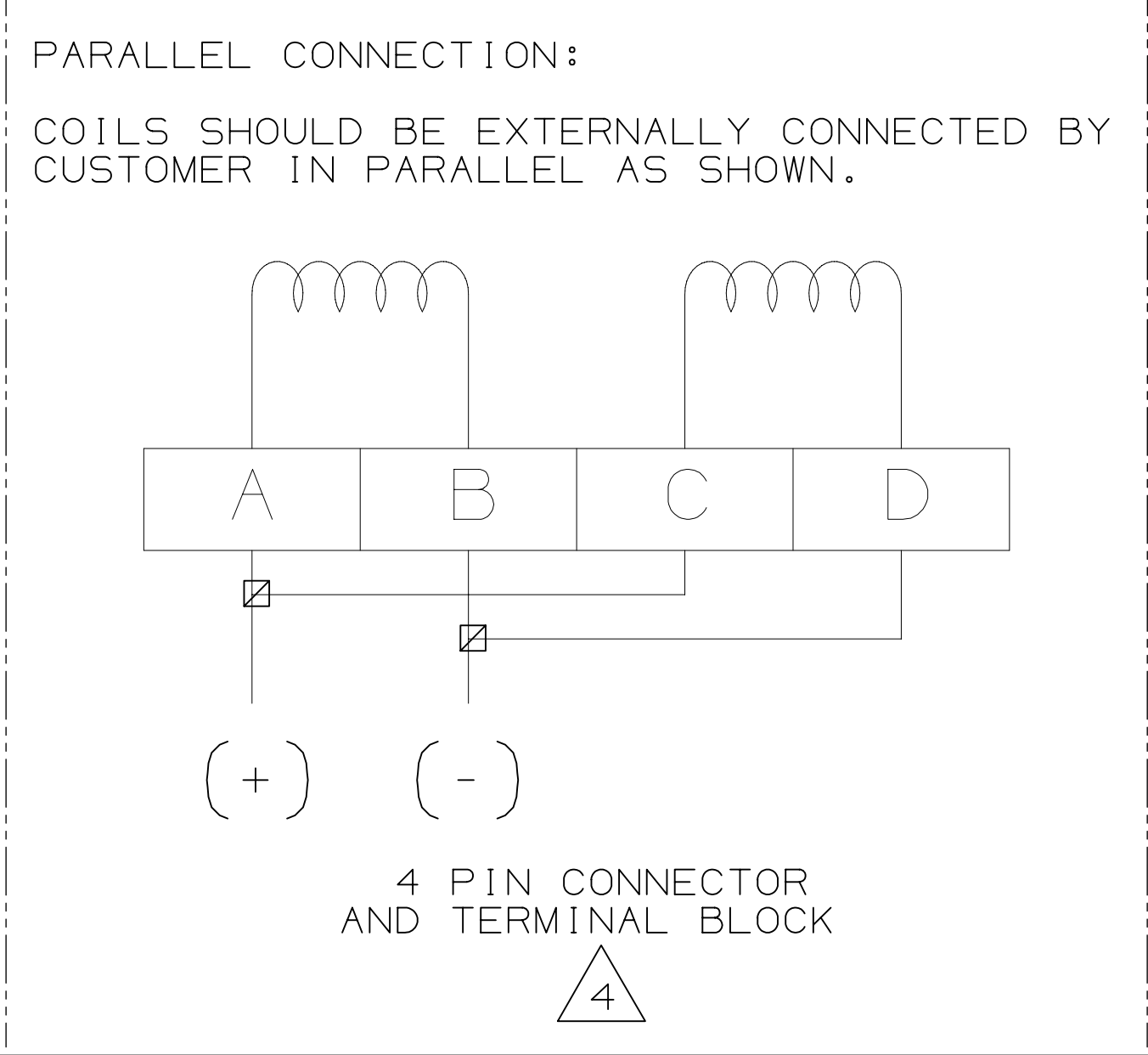
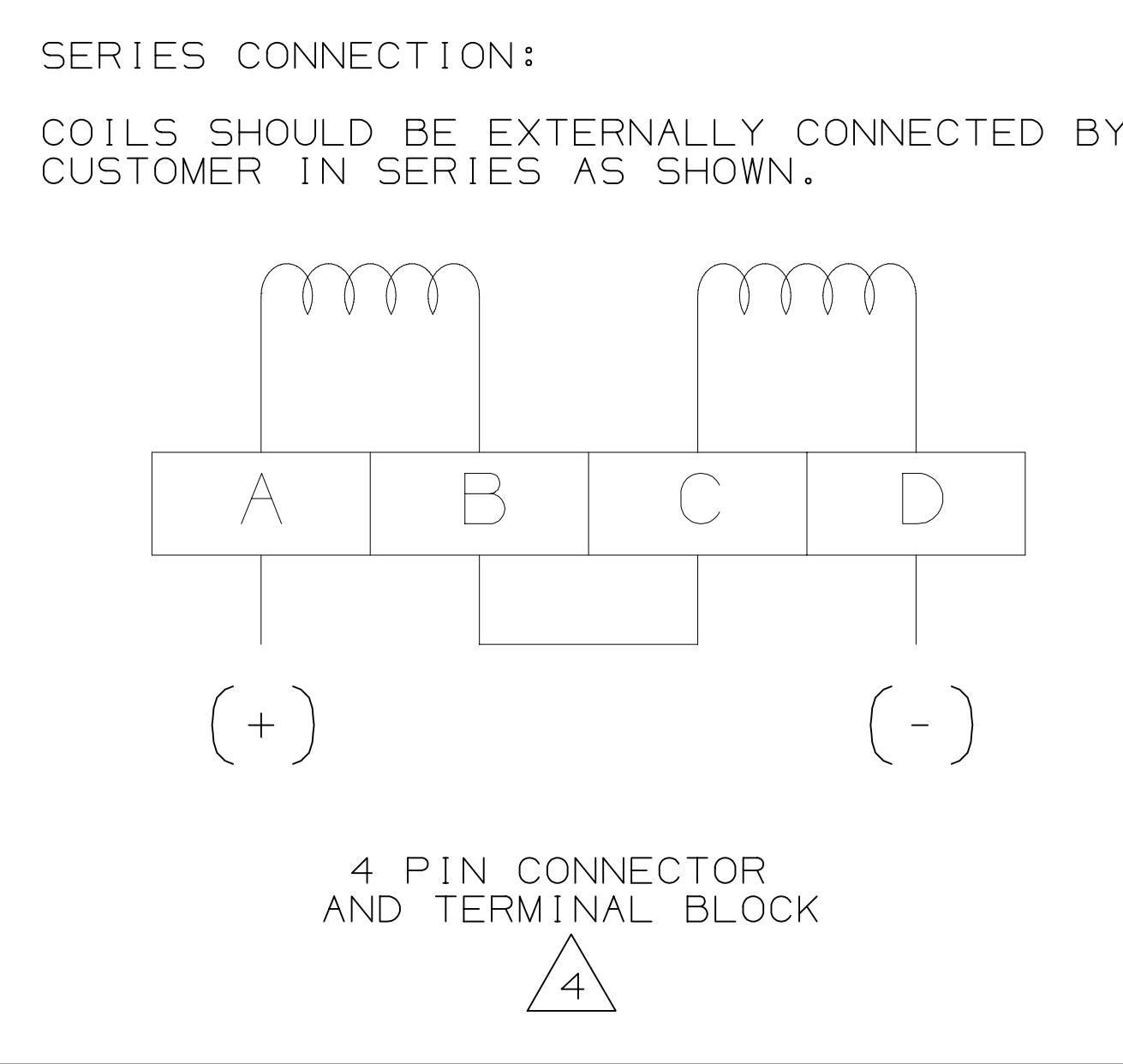
THIS TECHNICAL DATA/DRAWING/DOCUMENT CONTAINS MOOG PROPRIETARY AND CONFIDENTIAL INFORMATION. SUBSIDIARIES EXCEPT AS EXPRESSLY GRANTED BY CONTRACT OR BY OPERATION OF LAW AND IS RESTRICTED TO USE BY ONLY MOOG EMPLOYEES AND OTHER PERSONS AUTHORIZED IN WRITING BY MOOG OR AS EXPRESSLY GRANTED BY CONTRACT OR BY OPERATION OF LAW. NO PORTION OF THIS DATA/DOCUMENT SHALL BE REPRODUCED OR TRANSMITTED IN ANY FORM OR BY ANY MEANS, OR FOR ANY USES REQUIRING A LICENSE, WITHOUT PRIOR WRITTEN APPROVAL FROM MOOG INC. OR MOOG INC. SUBSIDIARY.

THIS DOCUMENT CONTAINS TECHNOLOGY SUBJECT TO THE U.S. EXPORT ADMINISTRATION REGULATIONS (EAR) AND MAY NOT BE EXPORTED OR TRANSFERRED TO ANY UNLICENSED PERSON, COUNTRY, OR COMPANY, BY ANY MEANS, OR FOR ANY USES REQUIRING A LICENSE, WITHOUT PRIOR WRITTEN APPROVAL FROM THE U.S. DEPARTMENT OF COMMERCE, BUREAU OF INDUSTRY AND SECURITY (BIS). DIVERSION CONTRARY TO U.S. LAW IS PROHIBITED.

- NOTES:
- FLUID:  
PETROLEUM BASE, OR SELECTED PHOSPHATE ESTER FLUID,  
60 TO 450 SSU AT 100°F (10 TO 97 CENTISTOKES AT 38°C).  
CLEANLINESS LEVEL PER NAS 1638: CLASS 6.
  - OPERATING TEMPERATURE RANGE: -20°F TO +275°F (-29°C TO +135°C).
  - MAXIMUM OPERATING PRESSURE: 4000 PSI (275 BAR).
  - STANDARD POLARITY OPERATION:  
FLOW OUT CONTROL PORT "C2" WHEN:  
SERIES: A+, B & C TIED, D-  
PARALLEL: A & C TIED +, B & D TIED -  
SINGLE: A+, B- OR C+, D-
  - STANDARD POLARITY OPERATION:  
FLOW OUT CONTROL PORT "C2" WHEN:  
SERIES: GREEN +, RED & YELLOW TIED, BLUE -  
PARALLEL: GREEN & YELLOW TIED +, RED & BLUE TIED -  
SINGLE: GREEN +, RED - OR YELLOW +, BLUE -
  - STANDARD POLARITY OPERATION:  
FLOW OUT CONTROL PORT "C2" WHEN:  
SERIES: WHITE +, RED & GREEN TIED, BLACK -  
PARALLEL: WHITE & GREEN TIED +, RED & BLACK TIED -  
SINGLE: WHITE +, RED - OR GREEN +, BLACK -
  - DIMENSIONS ARE FOR REFERENCE ONLY.  
DIMENSIONS IN BRACKETS ( ) ARE IN MILLIMETERS.
  - PORTS P, R, C1, C2:  
□  $\phi .498$  [12.65] O.D. X  $\phi .312$  [7.92] I.D.  $\nabla .054$  [1.37]  
O-RINGS:  $\nabla .364$  [9.25] I.D. X  $\nabla .070$  [1.78] CROSS SECTION (UNIVERSAL SIZE -012).
  - SURFACE TO WHICH VALVE IS MOUNTED REQUIRES  $\sqrt{.00032}$  [0.8],  $\square .001$  [0.025].
  - SUGGESTED MOUNTING SCREWS: #10-32 X .50 LONG SOCKET HEAD CAP SCREWS.
  - PIGTAIL OPTION - 4 FLYING LEADS (22 AWG), 16 INCHES LONG,  
COVERED WITH POLYOLEFIN TUBING.
  - THREADED CONNECTOR OPTION - 4 PIN THREADED CONNECTOR MATES WITH PC-06E-8-4S OR  
EQUIVALENT. OPTIONAL 90 DEGREE MOULDED MATING CABLE ASSEMBLY WITH 20 AWG LEADS  
IS AVAILABLE. PUR CABLE JACKET, UL AND CSA LISTED. MOOG PART NUMBER CDO1359.
  - TERMINAL BLOCK OPTION - AVAILABLE UPON REQUEST.  
4 PIN TERMINALS CAN ACCEPT INDIVIDUAL WIRE CONNECTIONS 26-20 AWG.



REFERENCE MOUNTING PATTERN SPECIFICATION  
ISO 10372-03-03-0-92



INTERNATIONAL PART

UNLESS OTHERWISE SPECIFIED: DIMENSIONS ARE IN INCHES TOLERANCES PER ASME Y14.5M-1994	INTERPRET DRAWING PER MIL-STD-1300 DIMENSIONING AND TOLERANCING PER ASME Y14.5M-1994	CONTRACT NO. 20180509	MOOG INC.
ANGULAR: $\pm 0^\circ 30'$	FILLET: $R.015$	PREPARED: M. NEUREUTHER	MOOG INC., EAST AURORA, IL 6052
EDGES: $\nabla .010$	SURFACE: $\nabla .125$	CHECKED: R. MILITTO	TITLE: INSTALLATION, SERVO VALVE, -032 SERIES, STANDARD
PER ANSI Y14.26 & B46.1	CONCENTRIC DIAMETERS: $\nabla .001$	DES ENGR: M. NEUREUTHER	SIZE: 1/2
SMALL POINTS: $115^\circ$ TAP	ALL DIMENSIONS ARE IN INCHES	PRD ENGR: R. MILITTO	DWG NO.: CC53036
PART TO BE FREE OF BURRS		APL ENGR: T. WEISKORFF	SCALE: 5/2
		DUAL: C. WENRICH	SHEET 1 OF 1

LAST SECTION/DATUM  
THIRD ANGLE PROJECTION

UNLESS OTHERWISE SPECIFIED:  
DIMENSIONS ARE IN INCHES  
TOLERANCES PER ASME Y14.5M-1994

INTERPRET DRAWING PER MIL-STD-1300  
DIMENSIONING AND TOLERANCING PER ASME Y14.5M-1994

CONTRACT NO. 20180509

MOOG INC.

MOOG INC., EAST AURORA, IL 6052

TITLE: INSTALLATION, SERVO VALVE, -032 SERIES, STANDARD

SIZE: 1/2

DWG NO.: CC53036

SCALE: 5/2

SHEET 1 OF 1

UNIGRAPHICS DATA BASE